



5-HDL-W

4" Wrist Action Handle Kit

Architect/Engineering Specifications:

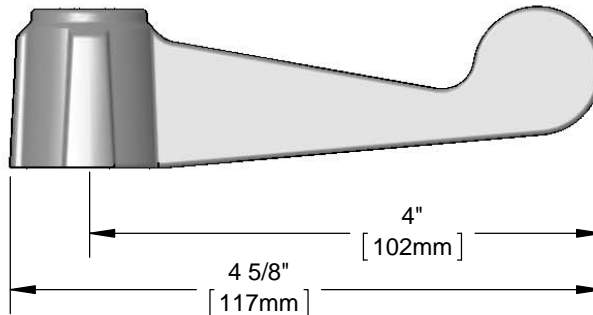
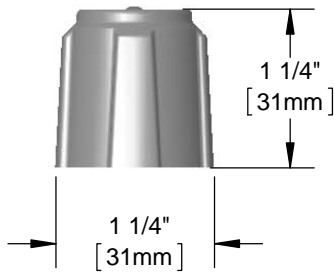
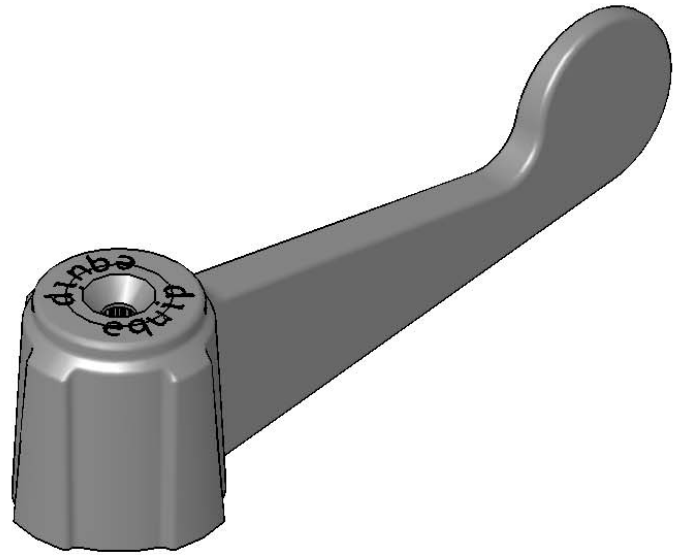
Wrist action handle fits all standard equip ceramic cartridges.

Job Name _____

Model Specified _____ Quantity _____

Variations Specified _____

Date _____



Features & Benefits:

- Wrist action handle
- Material: Chrome plated metal handle

Product Compliance:

- N/A

Warranty: One Year (Limited)

Performance Data:

- N/A

