



Electronic Faucets

5EF-1D-DG-4DPWS

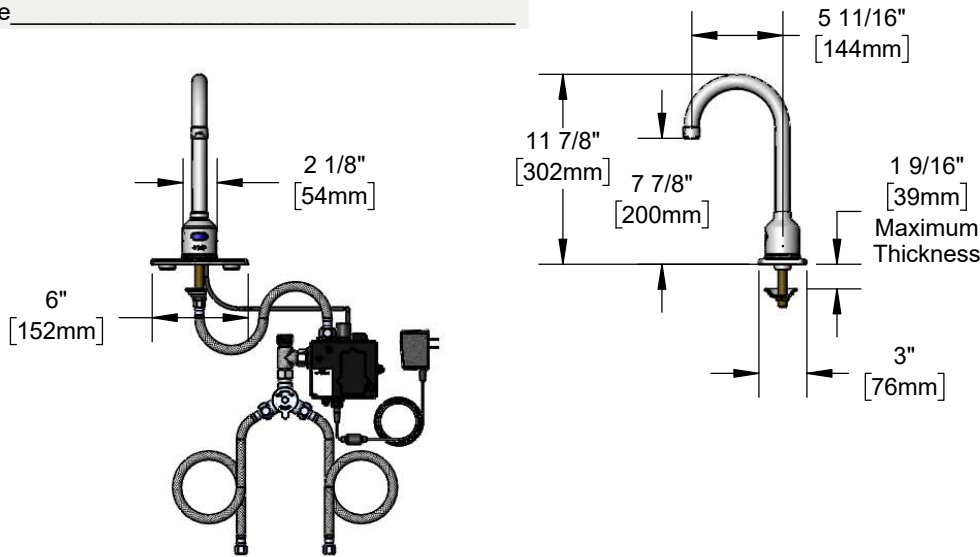
TAG:

Electronic Sensor Faucet

Architect/Engineering Specifications:

Single hole deck mount electronic sensor faucet with polished chrome plated brass body, 4" c/c forged deck plate and 5 11/16" rigid gooseneck, 1.5 GPM vandal resistant aerator, AC/DC control module, mechanical mixing valve with integral check valves and 18" flexible stainless steel supply hoses with 3/8" compression connections. Certified to ASME A112.18.1/CSA B125.1, NSF 61-Section 9, NSF 372, UL 1951 and EPA WaterSense. Meets ADA ANSI/ICC A117.1 requirements

Job Name _____
 Model Specified _____ Quantity _____
 Variations Specified _____
 Date _____



Features & Benefits:

- Single hole deck mount faucet w/ polished chrome plated brass body
- 4" c/c forged deck plate w/ gasket & mounting hardware
- 5 11/16" rigid gooseneck
- 1.5 GPM vandal resistant aerator, Series 6 (B-0199-06-WS)
- Water resistant control module
- Plug in AC transformer or (4) AA battery (DC) power options
- Mechanical mixing valve w/ integral check valves
- 18" flexible stainless steel supply hoses w/ 3/8" compression connections
- Low battery LED indicator light
- Material: Polished chrome plated brass body, deck plate & tubular spout

Product Compliance:

- ASME A112.18.1 / CSA B125.1
- NSF 61 - Section 9
- NSF 372 (Low Lead Content)
- ANSI A117.1 (ADA)
- UL 1951
- EPA WaterSense



Warranty: One Year (Limited)

Performance Data:

- Pressure: 20 - 125 psi
- Temperature: 40 °F - 140 °F
- Flow Rate: 1.5 GPM @ 60 psi
- Water Consumption: @ 10 sec = .25 gal
@ 15 sec = .38 gal



Optional Outlets (Series 4 / VR Series 9)

| GPM | Aerated | Non-Aerated (Laminar) | VR Aerated | VR Non-Aerated (VR Laminar) | Optional Deck Plates |
|------|--|---|--|---|---|
| 0.35 | N/A | <input type="checkbox"/> B-0199-04-N035 | N/A | <input type="checkbox"/> B-0199-09-N035 | <input type="checkbox"/> 4" Chrome Plated Brass Deck Plate (Standard) |
| 0.5 | N/A | <input type="checkbox"/> B-0199-04-N05 | N/A | <input type="checkbox"/> B-0199-09-N05 | <input type="checkbox"/> 8" Chrome Plated Brass Deck Plate |
| 1.0 | N/A | N/A | N/A | <input type="checkbox"/> B-0199-09-LF10 | |
| 1.2 | <input type="checkbox"/> B-0199-04-F12 | N/A | <input type="checkbox"/> B-0199-09-F12 | N/A | |
| 1.5 | <input type="checkbox"/> B-0199-04-WS | N/A | Standard | <input type="checkbox"/> B-0199-09-LF15 | |
| 2.2 | <input type="checkbox"/> B-0199-04 | <input type="checkbox"/> B-0199-25 | <input type="checkbox"/> B-0199-09 | <input type="checkbox"/> B-0199-27 | |



equip Foodservice Accessories



• 2 Saddleback Cove • Travelers Rest, SC 29690
Ph 800-891-4808 • Fax 800-868-0084
www.tsbrass.com

Date: 10/31/19