



**Architect/Engineering Specifications:**

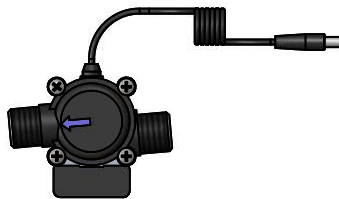
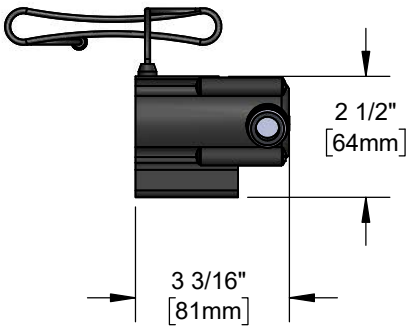
Hydro-generator power supply accessory package for ChekPoint electronic sensor faucet models with 1/2" NPSM male inlet and outlet. Minimum flow rate of 1.0 GPM required in applications using EC-HYDROGEN. Certified to ASME A112.18.1/CSA B125.1, NSF 61-Section 9 and NSF 372.

Job Name \_\_\_\_\_

Model Specified \_\_\_\_\_ Quantity \_\_\_\_\_

Variations Specified \_\_\_\_\_

Date \_\_\_\_\_



**Features & Benefits:**

- Hydro-generator power supply accessory
- 1/2" NPSM swivel coupling included
- No AA batteries or AC adapter needed to supply power to faucet
- 1/2" NPSM inlet and outlet
- Minimum flow rate is required in applications using EC-HYDROGEN
- 71" power cord w/ male plug to connect to control module

**Product Compliance:**

- ASME A112.18.1 / CSA B125.1
- NSF 61 - Section 9
- NSF 372 (Low Lead Content)



**Warranty:** One Year (Limited)

**Performance Data:**

- Pressure: 20 - 125 psi
- Temperature: 40 °F - 140 °F
- Minimum Flow Rate: 1.0 GPM @ 60 psi

