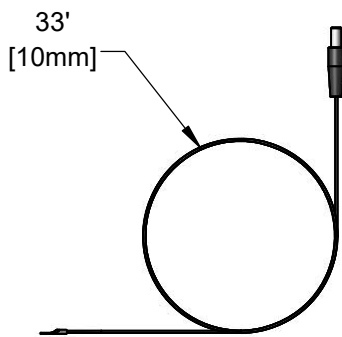
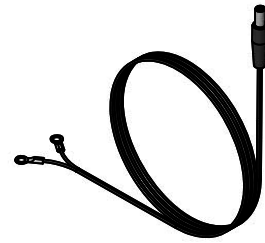




**Architect/Engineering Specifications:**

33' power connector cable with DC plug and ring terminals.

Job Name \_\_\_\_\_  
 Model Specified \_\_\_\_\_ Quantity \_\_\_\_\_  
 Variations Specified \_\_\_\_\_  
 Date \_\_\_\_\_



**Features & Benefits:**

- 33' power connector cable
- DC plug and ring terminals
- For use with EC-HARDWARE for each ADE Faucet

**Product Compliance:**

- N/A

**Warranty:** One Year (Limited)

**Performance Data:**

- N/A

