



**Electronic Faucets**  
**EC-3132-STV5THG**

TAG:

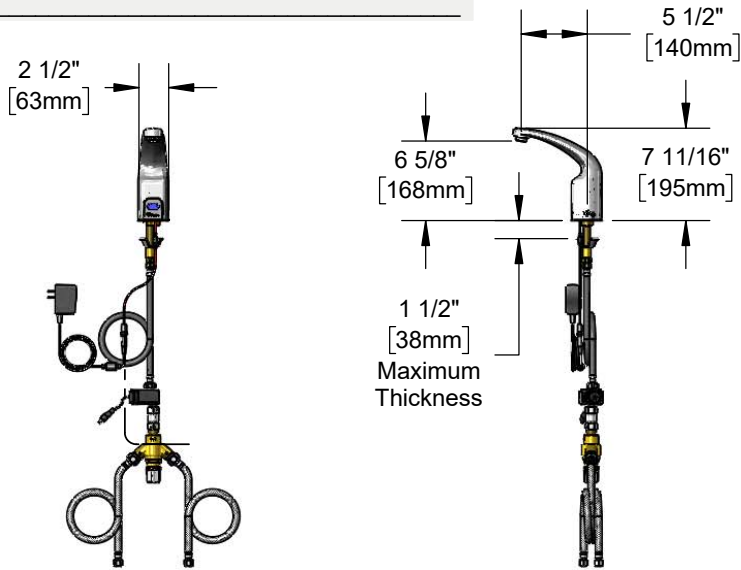


**ChekPoint™ Electronic Sensor Faucet**

**Architect/Engineering Specifications:**

Single hole deck mount electronic sensor faucet with polished chrome plated brass body with cast spout, 0.5 GPM vandal resistant non-aerated spray device, above deck electronic AC/DC control module with internal flow control setting switches, anti-rotation pin, hydro-generator power supply, thermostatic mixing valve, 18" flexible stainless steel supply hoses with 3/8" compression connections. Certified to ASME A112.18.1/CSA B125.1, NSF 61-Section 9, NSF 372, ASSE 1070 and UL 1951. Meets ADA ANSI/ICC A117.1 requirements.

Job Name \_\_\_\_\_  
 Model Specified \_\_\_\_\_ Quantity \_\_\_\_\_  
 Variations Specified \_\_\_\_\_  
 Date \_\_\_\_\_



**Features & Benefits:**

- Single hole deck mount faucet with polished chrome plated brass body with integral cast spout
- 0.5 GPM vandal resistant non-aerated device, Series 8 (B-0199-08-N05)
- Above deck electronic control module w/ internal flow control switches for adjusting auto time out & shut off delay settings
- Optional auto flush feature flows water for 30 seconds after every 12 inactive hours
- Hydro-generator power supply
- Plug in AC transformer or 6 VDC lithium battery (DC) power options
- Thermostatic mixing valve
- Anti-rotation pin
- 18" flexible stainless steel supply hoses
- Check valve adapters with 3/8" compression connections
- Low battery LED indicator light
- Material: Polished chrome plated brass body

**Product Compliance:**

- ASME A112.18.1 / CSA B125.1
- NSF 61 - Section 9
- NSF 372 (Low Lead Content)
- ANSI A117.1 (ADA)
- UL 1951
- ASSE 1070 (TMV)



**ADA Compliant**

**Warranty:** Three Year (Limited)

**Performance Data:**

- Pressure: 20 - 125 psi
- Temperature: 40°F - °F
- Flow Rate: 0.5 GPM @ 60 psi
- Water Consumption: @ 10 sec = .08 gal  
@ 15 sec = .13 gal



**Optional Outlets (Series 3 / VR Series 8)**

GPM	Aerated	Non-Aerated (Laminar)	VR Aerated	VR Non-Aerated (VR Laminar)
0.35	N/A	<input type="checkbox"/> B-0199-03-N035	N/A	<input type="checkbox"/> B-0199-08-N035
0.5	N/A	<input type="checkbox"/> B-0199-03-N05	N/A	<input type="checkbox"/> Standard
1.0	N/A	N/A	N/A	<input type="checkbox"/> B-0199-08-LF10
1.5	<input type="checkbox"/> B-0199-03-WS	N/A	<input type="checkbox"/> B-0199-08-WS	<input type="checkbox"/> B-0199-08-LF15
2.2	<input type="checkbox"/> B-0199-03	<input type="checkbox"/> B-0199-26	<input type="checkbox"/> B-0199-08	<input type="checkbox"/> B-0199-28

**Optional Deck Plates**

- 4" Chrome Plated Brass Deck Plate
- 8" Chrome Plated Brass Deck Plate



**T&S BRASS AND BRONZE WORKS, INC.**



• 2 Saddleback Cove • Travelers Rest, SC 29690  
 Ph 800-476-4103 • Fax 864-834-3518  
 • Simi Valley, CA • Ph 800-423-0150 • www.tsbrass.com

Date: 12/05/18