



# Hand Sinks

## CH-W1715

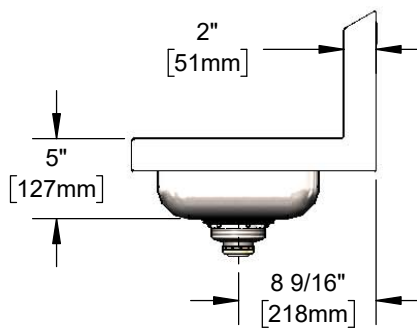
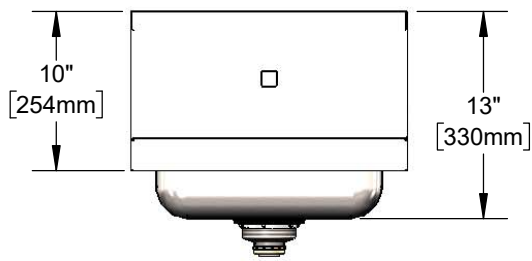
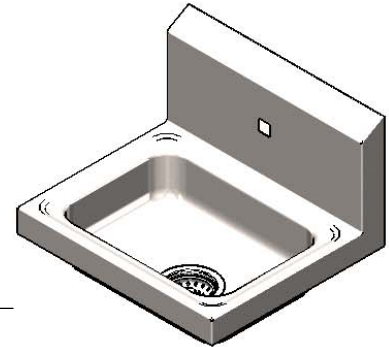
TAG:

*Hand Sink*

**Architect/Engineering Specifications:**

Stainless steel wall-mounted hand sink with backsplash, 3 1/2" drain that adapts to an 1 1/2" drain pipe, mounting bracket and a single 1" square hole in the backsplash for a single hole wall mount faucet. Certified to ASME A112.19.3 / CSA B45.4.

Job Name \_\_\_\_\_  
 Model Specified \_\_\_\_\_ Quantity \_\_\_\_\_  
 Variations Specified \_\_\_\_\_  
 Date \_\_\_\_\_



**Features & Benefits:**

- Stainless steel wall-mounted hand sink
- Backsplash w/ 1" square hole for single hole wall mounted faucets
- Mounting brackets are included
- 3 1/2" drain adapts to a 1 1/2" drain pipe
- Material: Stainless steel sink

**Product Compliance:**

- ASME A112.19.3 / CSA B45.4
- NSF 2



**Warranty:** One Year (Limited)

**Performance Data:**

- Discharge Rate: 18.00 GPM max



**T&S BRASS AND BRONZE WORKS, INC.**



• 2 Saddleback Cove • Travelers Rest, SC 29690  
 Ph 800-476-4103 • Fax 864-834-3518  
 • Simi Valley, CA • Ph 800-423-0150 • www.tsbrass.com

Date: 06/01/18