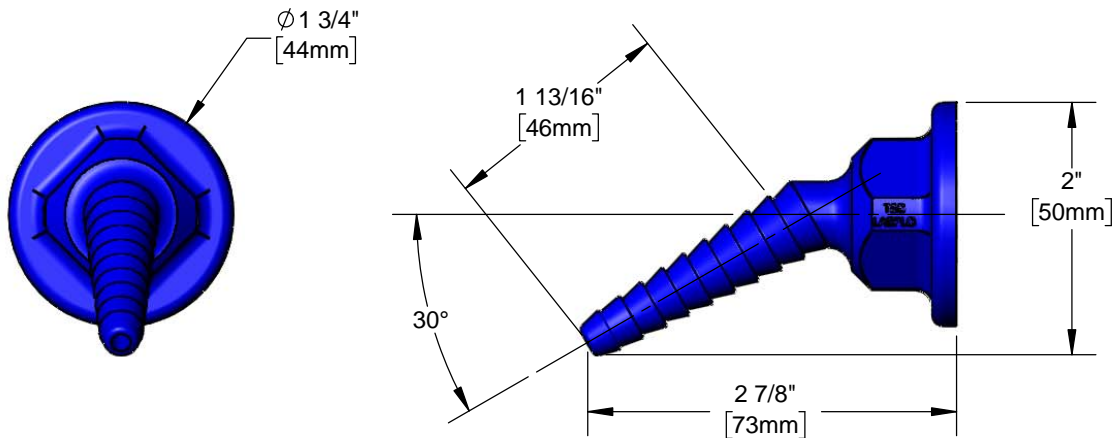




Architect/Engineering Specifications:

Polypropylene blue panel flange for gas with serrated tip and 3/8" NPT female inlet. Certified to ASME A112.18.1/CSA B125.1.

Job Name _____
 Model Specified _____ Quantity _____
 Variations Specified _____
 Date _____



Features & Benefits:

- Polypropylene panel flange with serrated tip
- Color coded blue for gas operations
- 3/8" NPT female inlet
- Material: Polypropylene

Product Compliance:

- ASME A112.18.1 / CSA B125.1



Warranty: One Year (Limited)

Performance Data:

- Pressure: 0.5 psi max
- Temperature: 32°F - 125°F

