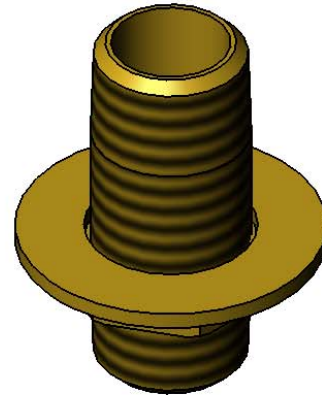
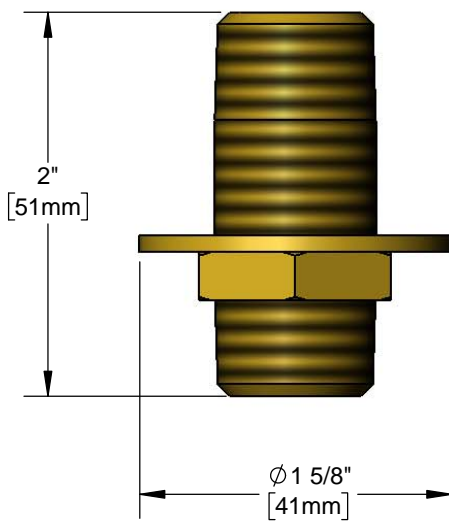




Architect/Engineering Specifications:

Supply nipple unit with lock nut, washer and 1/2" NPT male ends. Certified to ASME A112.18.1 / CSA B125.1, NSF 61 -Section 9 and NSF-372.

Job Name _____
 Model Specified _____ Quantity _____
 Variations Specified _____
 Date _____



Features & Benefits:

- Supply nipple unit
- Lock nut and washer
- 1/2" NPT male ends
- Used with panel mount faucets
- Material: Brass

Product Compliance:

- ASME A112.18.1 / CSA B125.1
- NSF 61 - Section 9
- NSF 372 (Low Lead Content)

Warranty: One Year (Limited)

Performance Data:

- N/A

