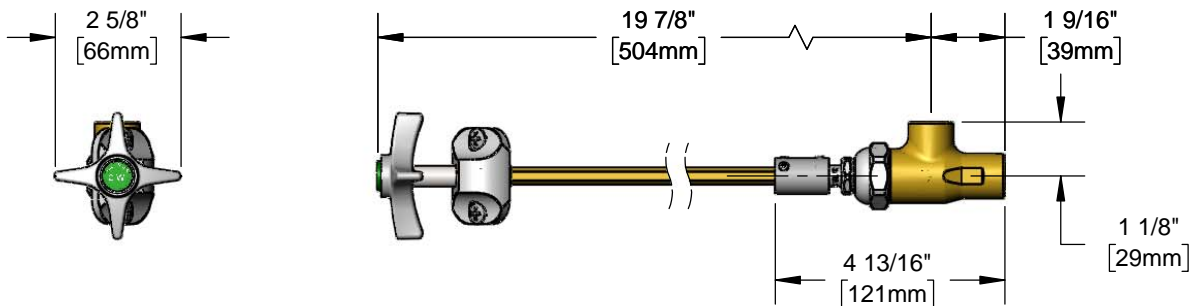
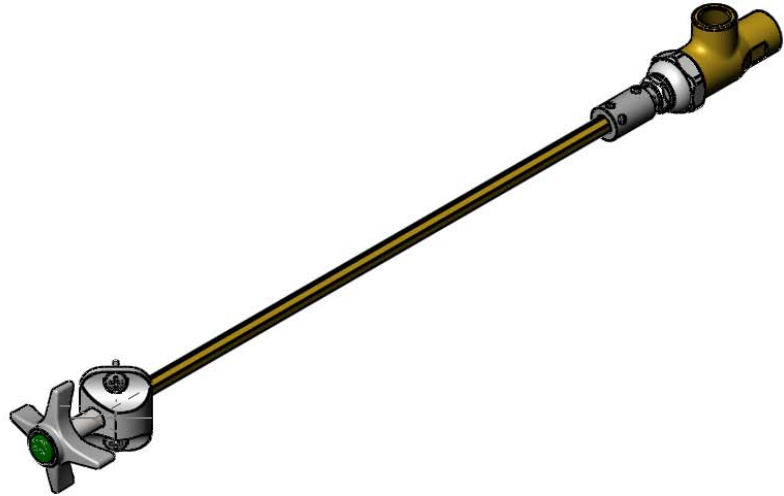




**Architect/Engineering Specifications:**

Remote control angled valve with brass body, 18" centerline to flange, 4-arm handle, green (CW) snap-in color coded index, angle guide and 3/8" NPT female inlet and outlet. Certified to ASME A112.18.1/CSA B125.1, NSF 61-Section 9 and NSF 372. Meets ADA ANSI/ICC A117.1 requirements.

Job Name \_\_\_\_\_  
 Model Specified \_\_\_\_\_ Quantity \_\_\_\_\_  
 Variations Specified \_\_\_\_\_  
 Date \_\_\_\_\_



**Features & Benefits:**

- Remote control angle valved with brass body
- 18" centerline to bushing
- Eterna compression cartridge
- 4-arm handle w/ green (CW) snap-in color coded index
- Outlet at 90° to inlet
- Angled guide Bushing
- 3/8" NPT female inlet and outlet
- Material: Brass body and polished chrome plated brass handle

**Product Compliance:**

- ASME A112.18.1 / CSA B125.1
- NSF 61 - Section 9
- NSF 372 (Low Lead Content)
- ANSI A117.1 (ADA)

**Warranty:** One Year (Limited)

**Performance Data:**

- Pressure: 20 - 125 psi
- Temperature: 40 °F - 140 °F
- Flow Rate: TBD GPM @ 60 psi



**ADA Compliant**

