

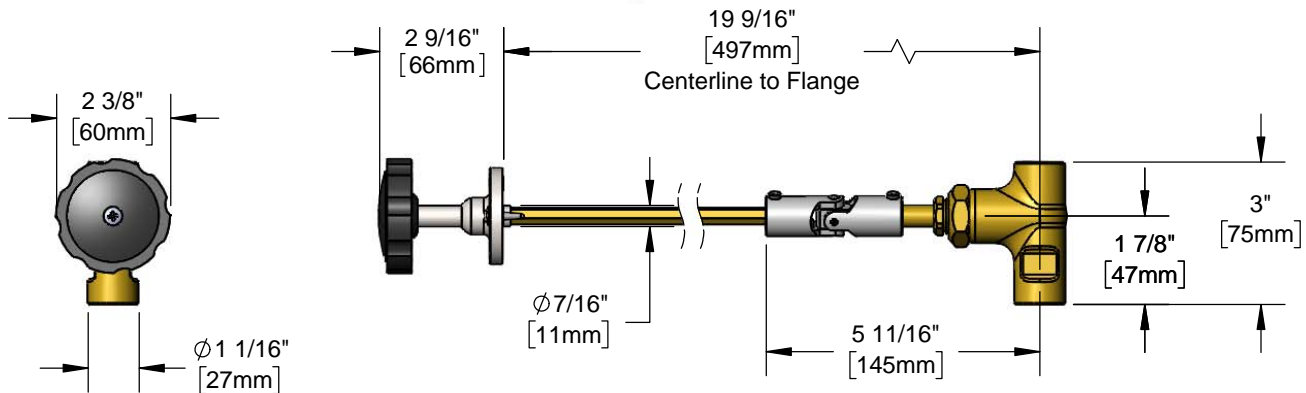


Remote Control Straight Valve Unit

Architect/Engineering Specifications:

Remote control straight valve with brass body, 19 9/16" centerline to flange, black heat resistant handle, guide flange, universal joint and 3/8" NPT male inlet and outlet.

Job Name _____
 Model Specified _____ Quantity _____
 Variations Specified _____
 Date _____



Features & Benefits:

- Remote control straight valve with brass body for steam
- 19 9/16" centerline to bushing
- Stainless steel floating cone and seat for steam
- Black heat-resistant handle
- ϕ 2" guide flange w/ mounting hardware
- Universal joint at valve to correct for minor misalignment
- 3/8" NPT male inlet and outlet
- Outlet at 90° to inlet
- Material: brass body and plastic handle

Product Compliance:

- N/A

Warranty: One Year (Limited)

Performance Data:

- N/A

