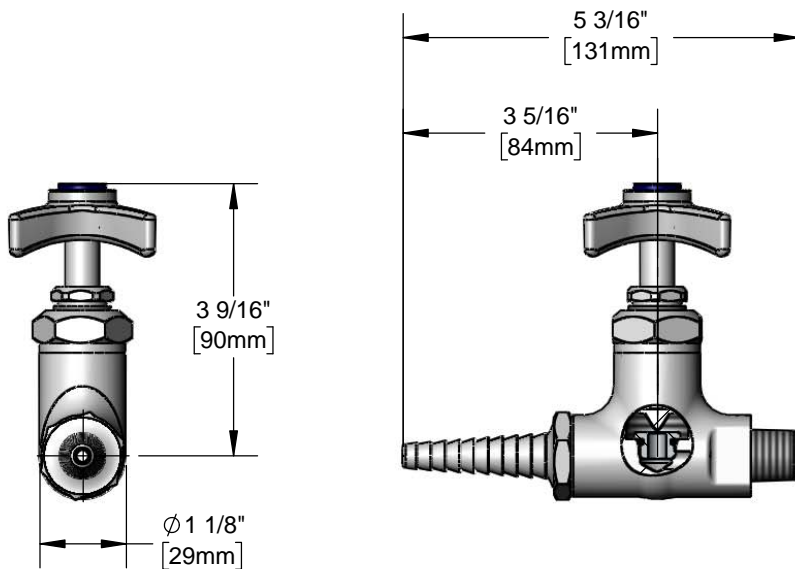




Architect/Engineering Specifications:

Laboratory angled stop with polished chrome plated brass body, internal stainless steel cone, removable serrated tip outlet, 4-arm handle and 3/8" NPT female inlet. Certified to ANSI Z21.15a / CSA 9.1a.

Job Name _____
 Model Specified _____ Quantity _____
 Variations Specified _____
 Date _____



Features & Benefits:

- Laboratory grade free straight stop w/ polished chrome plated brass body & handle
- Internal floating stainless steel cone regulates gas flow as handle is turned
- Removable serrated tip outlet, fits 1/4" to 3/8" I.D. hoses
- 3/8" NPT male inlet
- Material: Polished chrome plated brass body & handle

Product Compliance:

- ANSI Z21.15a / CSA 9.1a (Gas Valves)

Warranty: One Year (Limited)

Performance Data:

- Pressure: 125 psi max
- Temperature: 32 °F - 125 °F

