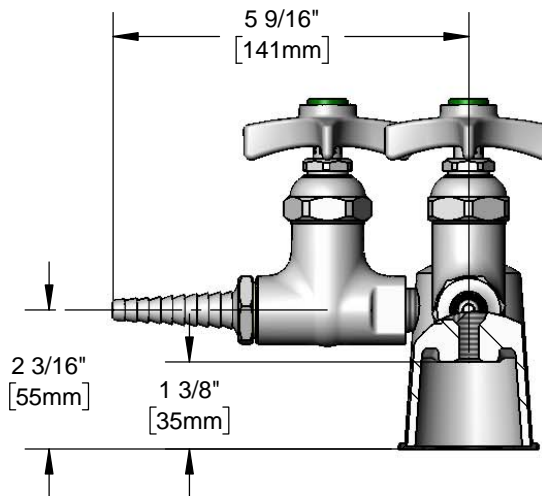
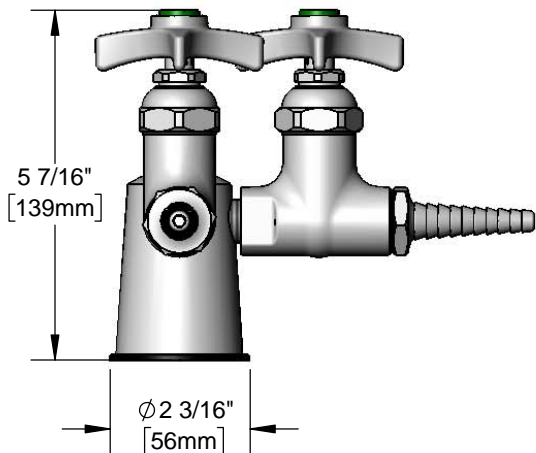
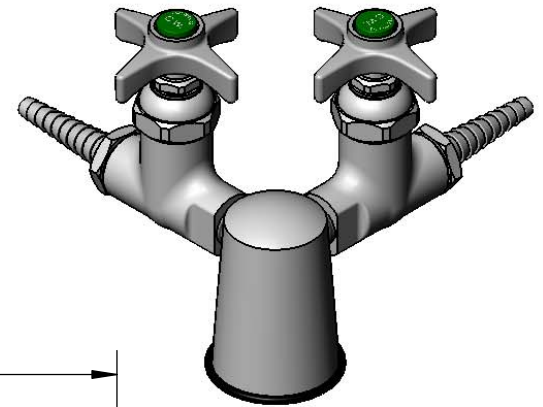




Architect/Engineering Specifications:

Laboratory turret with polished chrome plated brass body, compression cartridge, 4-arm handle, (2) serrated tip outlets at 90 degrees and 3/8" NPT female inlet. Certified to ASME A112.18.1/CSA B125.1, NSF 61-Section 9 and NSF 372. Meets ADA ANSI/ICC A117.1 requirements.

Job Name _____
 Model Specified _____ Quantity _____
 Variations Specified _____
 Date _____



Features & Benefits:

- Laboratory turret with polished chrome plated brass body
- Eterna compression cartridge
- 4-arm handles
- (2) Serrated tip outlets at 90 degrees, fits 1/4" to 3/8" I.D. hoses
- 3/8" NPT female inlet in base
- Black plastic base gasket
- Material: Polished chrome plated brass body

Product Compliance:

- ASME A112.18.1 / CSA B125.1
- NSF 61 - Section 9
- NSF 372 (Low Lead Content)
- ANSI A117.1 (ADA)

Warranty: One Year (Limited)

Performance Data:

- N/A



ADA Compliant

