



Big-Flo Faucets

BF-0299-LN

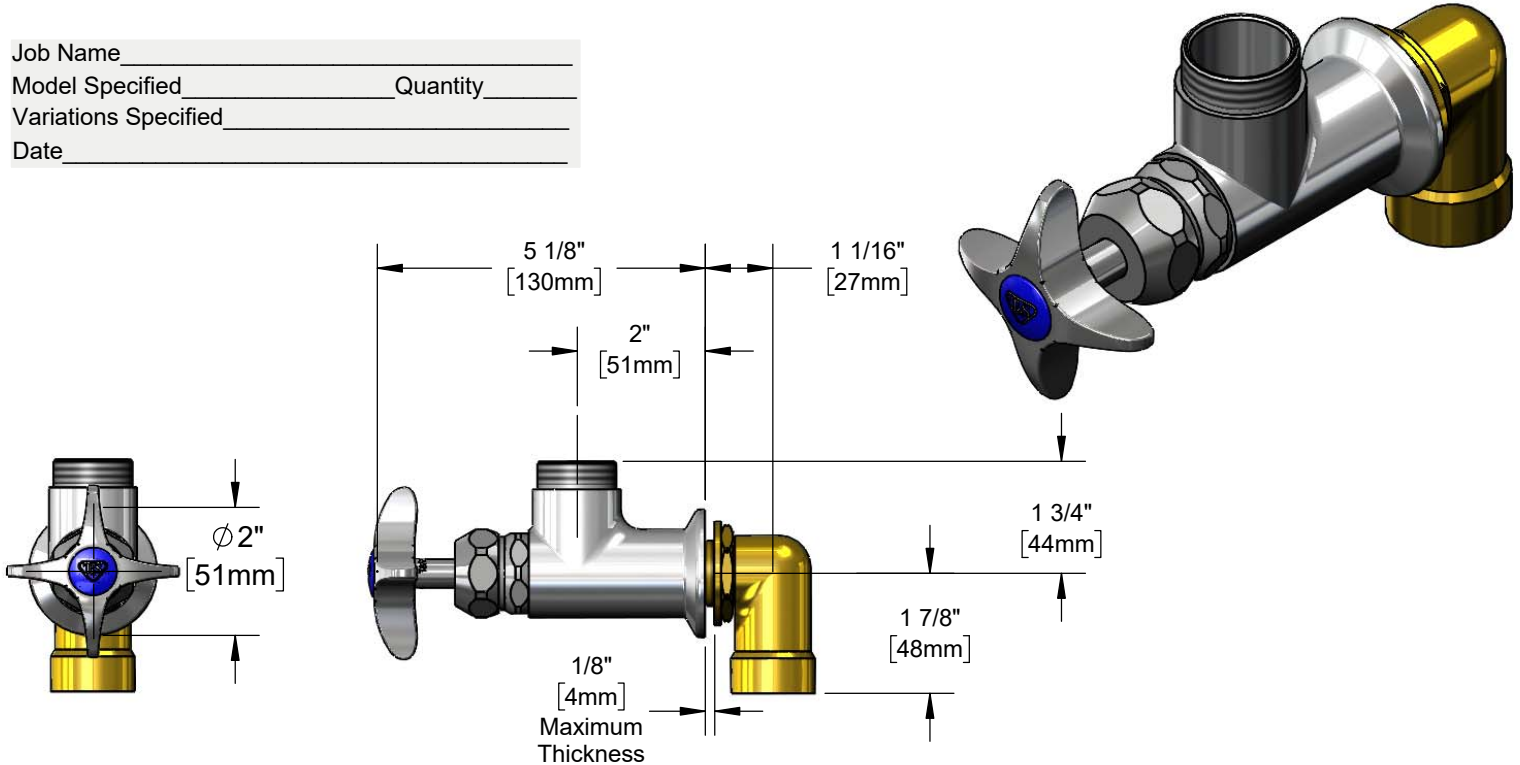
TAG:

Single Wall Faucet

Architect/Engineering Specifications:

Single wall mount large flow faucet with compression cartridge, less nozzle, 4-arm handle and 3/4" NPT street elbow.
 Certified to ASME A112.18.1 / CSA B125.1, NSF 61-Section 9 and NSF 372. Meets ADA ANSI/ICC A117.1 requirements.

Job Name _____
 Model Specified _____ Quantity _____
 Variations Specified _____
 Date _____



Features & Benefits:

- Single wall mount Big-Flo faucet, less nozzle
- Big-Flo cartridge
- Outlet accepts T&S Big-Flo swing nozzles
- Lock washer provided for rigid application
- 4-arm handle
- 3/4" NPT street elbow
- Material: Chrome plated brass

Product Compliance:

- ASME A112.18.1 / CSA B125.1
- NSF 61 - Section 9
- NSF 372 (Low Lead Content)
- ANSI A117.1 (ADA)

Warranty: One Year (Limited)

Performance Data:

- Pressure: 20 - 125 psi
- Temperature: 40 °F - 140 °F
- Flow Rate: 33.76 GPM @ 60 psi



Big-Flo Swing Nozzles

- 110X 8" Swing Nozzle
- 112X 10" Swing Nozzle
- 114X 12" Swing Nozzle
- 014462-40 14" Swing Nozzle
- 015297-40 16" Swing Nozzle
- 115X 18" Swing Nozzle
- BF-0178-A 18 1/2" Double Joint Swing Nozzle
- 116X 24" Double Joint Swing Nozzle

Big-Flo Swivel Goosenecks (D x K)

- BF-0135X 6 1/16" x 8" Swivel Gooseneck
- BF-0136X 6 1/16" x 12 1/4" Swivel Gooseneck



T&S BRASS AND BRONZE WORKS, INC.



• 2 Saddleback Cove • Travelers Rest, SC 29690
 Ph 800-476-4103 • Fax 864-834-3518
 • Simi Valley, CA • Ph 800-423-0150 • www.tsbrass.com

Date: 06/15/18