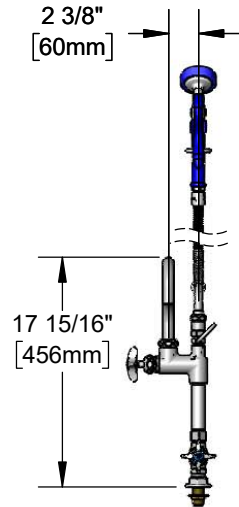
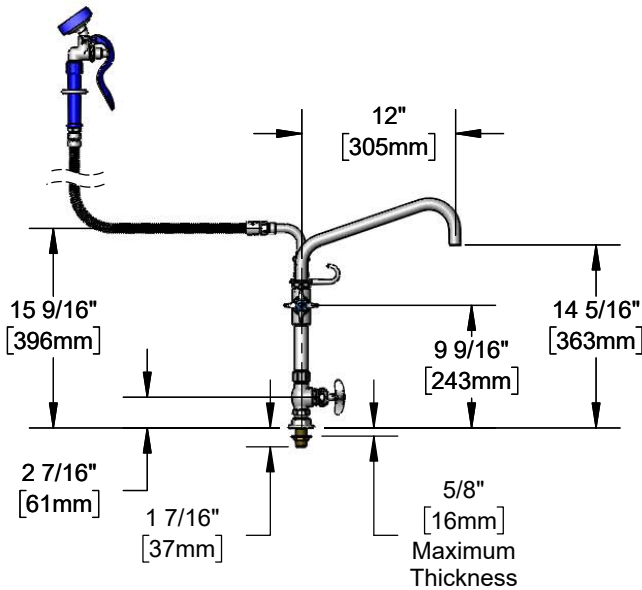




Architect/Engineering Specifications:

Single hole, single temperature large flow deck mount faucet with polished chrome plated brass body, add-on faucet, compression cartridges, 4-arm handle, 12" swing nozzle with plain end outlet, 60" flexible stainless steel hose with heat resistant handle, high flow angled spray valve, 1/2" NPT male inlet and swivel adapter arm. Certified to ASME A112.18.1/CSA B125.1, NSF 61-Section 9 and NSF 372.

Job Name _____
 Model Specified _____ Quantity _____
 Variations Specified _____
 Date _____



Features & Benefits:

- Single hole, single temperature Big-Flo deck mount faucet w/ polished chrome plated brass body
- Rigid add-on faucet w/ polished chrome plated brass body and 4-arm handle
- 12" Big-Flo plain end swing nozzle
- 60" flexible stainless steel hose w/ heat resistant blue handle and hold down ring
- High flow angled spray valve
- Big-Flo compression spindles
- 4-arm handle w/ color coded index
- 1/2" NPT male inlet
- 90° swivel adapter arm
- Material: Polished chrome plated brass body, tubular nozzle, swivel adapter arm & spray valve body, stainless steel hose and chrome plated metal handles

Product Compliance:

- ASME A112.18.1 / CSA B125.1
- NSF 61 - Section 9
- NSF 372 (Low Lead Content)
- 2019 DOE PRSV Non-Compliant

Warranty: One Year (Limited)

Performance Data:

- Pressure: 20 - 125 psi
- Temperature: 40 °F - 140 °F
- Flow Rate:
 - Spray Valve: 3.94 GPM @ 60 psi
 - Add-On Faucet: 8.87 GPM @ 60 psi

