



# Epoxy Coated Retractable Hose Reels

## B-7245

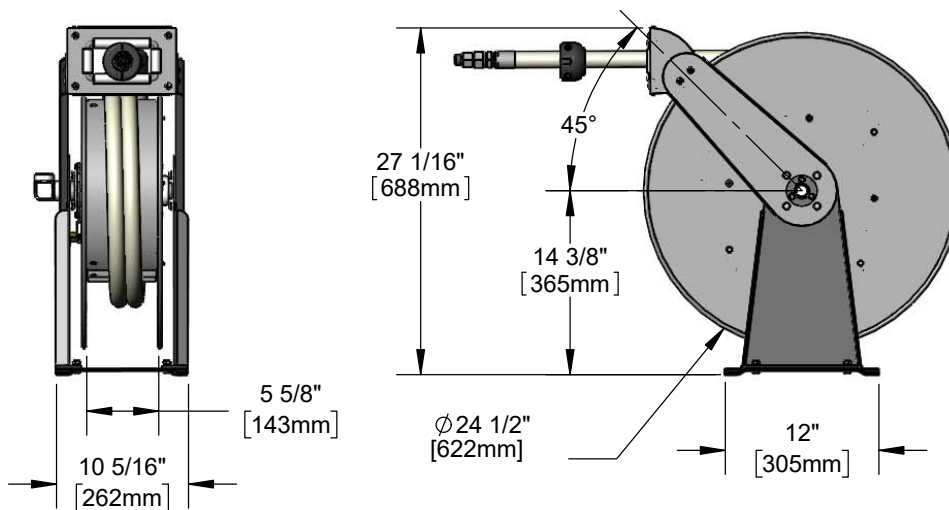
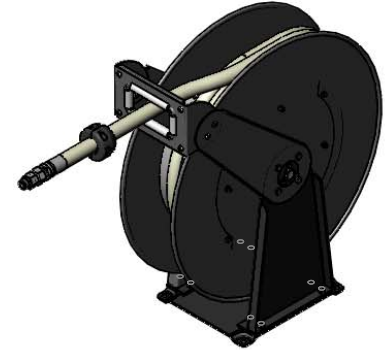
TAG:

### Heavy Duty Hose Reel

#### Architect/Engineering Specifications:

Open coated heavy duty hose reel, 3/4" x 50' industrial grade white hose, ratcheting system, adjustable hose bumper and 3/4" NPT female inlet.

Job Name \_\_\_\_\_  
 Model Specified \_\_\_\_\_ Quantity \_\_\_\_\_  
 Variations Specified \_\_\_\_\_  
 Date \_\_\_\_\_



#### Features & Benefits:

- Open coated heavy duty hose reel
- 3/4" x 50' industrial grade white hose rated to 300 PSI
- Ratcheting system holds the length of hose until a slight tug to retract automatically
- 3/4" NPT female inlet
- Adjustable hose bumper
- Material: Epoxy coated steel open reel & wall bracket

#### Product Compliance:

- NSF 61 Exempt (Non-Potable)

#### Warranty: Two Year (Limited)

- Hose: One Year (Limited)

#### Performance Data:

- Pressure: 20 - 125 psi
- Temperature: 40 °F - 200 °F
- Flow Rate: TBD GPM @ 60 psi

(Outlet Device &/or Final Configuration May Reduce Flow Rate)

#### Optional Hose Reel Spray Valves

- B-0107 Spray Valve
- B-0108 Ergonomic Medium Flow Spray Valve
- B-0108-H Ergonomic High Flow Spray Valve
- EB-0107 High Flow Spray Valve
- EB-2322 Extended Spray Wand
- MV-2516-24 Stainless Steel Rear Trigger Water Gun
- MV-2522-24 Stainless Steel Front Trigger Water Gun
- MV-3516-24 Aluminum Rear Trigger Water Gun



T&S BRASS AND BRONZE WORKS, INC.



• 2 Saddleback Cove • Travelers Rest, SC 29690  
 Ph 800-476-4103 • Fax 864-834-3518  
 • Simi Valley, CA • Ph 800-423-0150 • www.tsbrass.com

Date: 07/30/19