



Stainless Steel Retractable Hose Reels

B-7133-FG

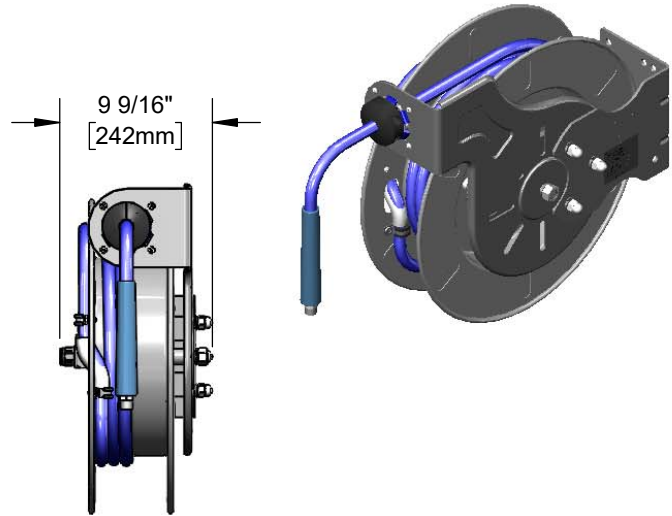
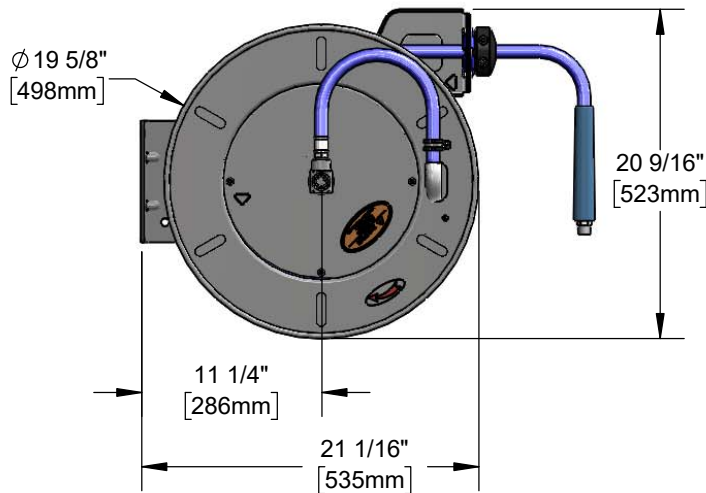
TAG:

Open Stainless Steel Hose Reel

Architect/Engineering Specifications:

Open stainless steel hose reel, 1/2" NPT male outlet, 1/2" x 35' food grade heavy-duty non-marking hose, ratcheting system, multi-fit bracket, adjustable hose bumper and 1/2" NPT female inlet

Job Name _____
 Model Specified _____ Quantity _____
 Variations Specified _____
 Date _____



Features & Benefits:

- Open stainless steel hose reel
- 1/2" NPT male outlet
- 1/2" x 35' food grade heavy-duty non-marking hose rated to 300 PSI
- Ratcheting system holds the length of hose until a slight tug to retract automatically
- 1/2" NPT female inlet
- Adjustable hose bumper
- Multi-fit bracket for wall, ceiling or under counter mounting
- Material: Stainless steel open reel and food grade hose

Product Compliance:

- NSF 51
- NSF 61 Exempt (Non-Potable)
- EPAAct 2005 Non-Compliant (PRSV)



Warranty: Two Year (Limited)

- Hose: One Year (Limited)

Performance Data:

Pressure: 20 - 125 psi
 Temperature: 40 °F - 200 °F
 Flow Rate: 8.42 GPM @ 60 psi

Optional Hose Reel Spray Valves

- EB-0107 High Flow Spray Valve
- MV-2516-44 Stainless Steel Rear Trigger Water Gun
- MV-2522-44 Stainless Steel Front Trigger Water Gun

Optional Hose Reel Multi-Fit Brackets

1/4", 3/8", & 1/2" Hose Reel

- G016737-45 Stainless Steel Wall Swing Bracket
- G019430-45 EasyInstall Stainless Steel Swing Bracket
- G016652-45 Deck Mount Pivot Bracket



T&S BRASS AND BRONZE WORKS, INC.



• 2 Saddleback Cove • Travelers Rest, SC 29690
 Ph 800-476-4103 • Fax 864-834-3518
 • Simi Valley, CA • Ph 800-423-0150 • www.tsbrass.com

Date: 03/23/18