



Waste Valves
B-3972-VR

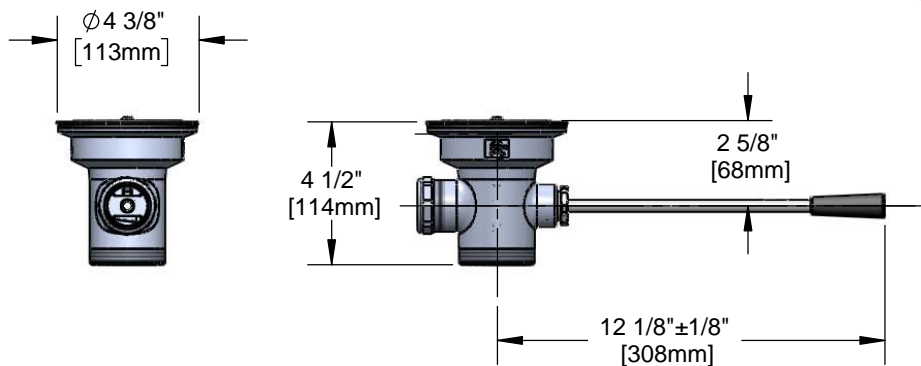
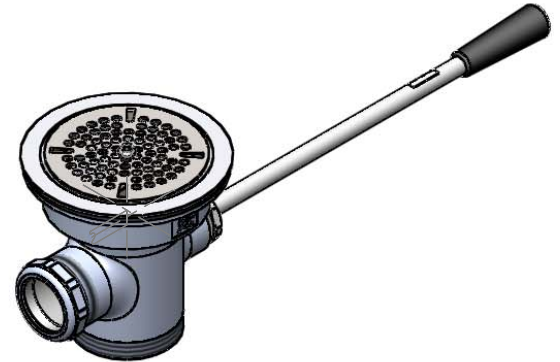
TAG:

Waste Valve with Lever Handle

Architect/Engineering Specifications:

Lever waste valve for 3 1/2" sink opening with rough chrome plated body, 2" NPT male outlet / 1 1/2" NPT female outlet, twist handle with heat resistant plastic grip, 3 1/2" vandal resistant strainer and overflow outlet with cap. Certified to ASME A112.18.2/CSA B125.2

Job Name _____
 Model Specified _____ Quantity _____
 Variations Specified _____
 Date _____



Features & Benefits:

- Lever waste valve for 3 1/2" sink opening w/ rough chrome plated body
- 2" NPT male outlet / 1 1/2" NPT female outlet
- Lever handle w/ heat resistant plastic grip
- 3 1/2" vandal resistant strainer
- Overflow outlet & cap w/ sealing washer
- Material: Rough chrome plated brass body and stainless steel handle & flat strainer

Product Compliance:

- ASME A112.18.2 / CSA B125.2

Warranty: One Year (Limited)

Performance Data:

- Discharge Rate: 17.14 GPM max



T&S BRASS AND BRONZE WORKS, INC.



• 2 Saddleback Cove • Travelers Rest, SC 29690
 Ph 800-476-4103 • Fax 864-834-3518
 • Simi Valley, CA • Ph 800-423-0150 • www.tsbrass.com

Date: 05/05/17