



**Waste Valves**  
**B-3970-VR**

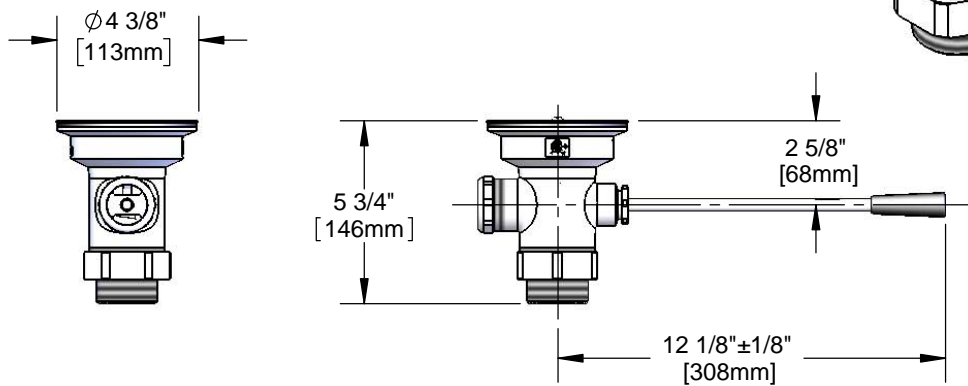
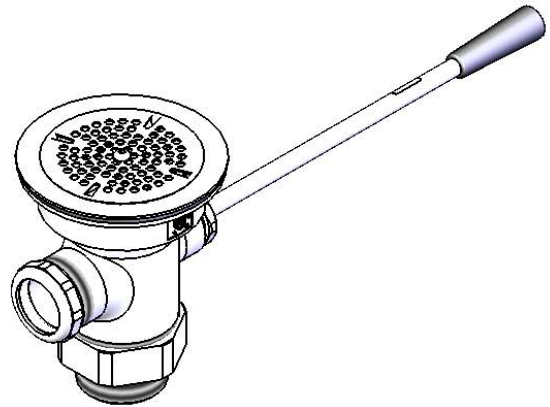
TAG:

*Waste Valve with Lever Handle*

**Architect/Engineering Specifications:**

Lever waste valve for 3 1/2" sink opening with rough chrome plated body, 2" NPT male outlet / 1 1/2" NPT female outlet, twist handle with heat resistant plastic grip, 1 1/2" NPT male adapter, 3 1/2" vandal resistant strainer and overflow outlet with cap. Certified to ASME A112.18.2/CSA B125.2

Job Name \_\_\_\_\_  
 Model Specified \_\_\_\_\_ Quantity \_\_\_\_\_  
 Variations Specified \_\_\_\_\_  
 Date \_\_\_\_\_



**Features & Benefits:**

- Lever waste valve for 3 1/2" sink opening w/ rough chrome plated body
- 2" NPT male outlet / 1 1/2" NPT female outlet
- Twist handle w/ heat resistant plastic grip
- 1 1/2" NPT male adapter
- 3 1/2" vandal resistant strainer
- Overflow outlet & cap w/ sealing washer
- Material: Rough chrome plated brass body and stainless steel handle & flat strainer

**Product Compliance:**

- ASME A112.18.2 / CSA B125.2



**Warranty:** One Year (Limited)

**Performance Data:**

- Discharge Rate: 17.14 GPM max



**T&S BRASS AND BRONZE WORKS, INC.**



• 2 Saddleback Cove • Travelers Rest, SC 29690  
 Ph 800-476-4103 • Fax 864-834-3518  
 • Simi Valley, CA • Ph 800-423-0150 • www.tsbrass.com

Date: 05/05/17