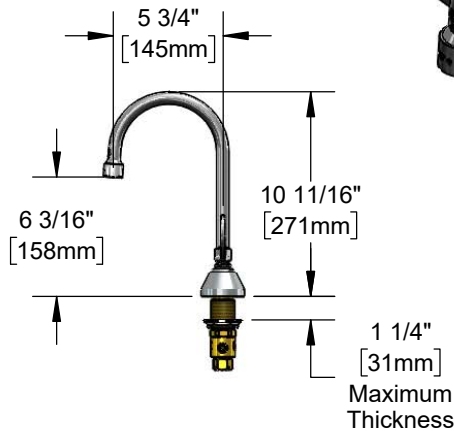
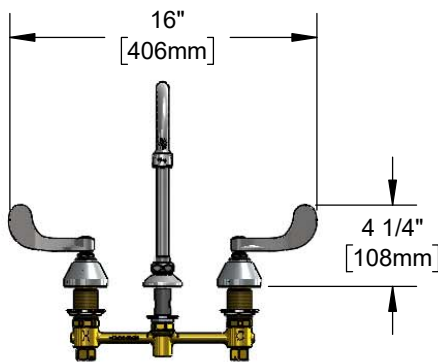




#### Architect/Engineering Specifications:

8" concealed deck mount mixing faucet with forged brass body, 5 3/4" swivel/rigid gooseneck with 2.2 GPM vandal resistant aerator, compression cartridges with spring checks, 4" wrist action handles, vandal resistant screws, polished chrome plated escutcheons and 1/2" NPT male inlets with coupling nuts. Certified to ASME A112.18.1/CSA B125.1, NSF 61-Section 9 and NSF 372. Meets ADA ANSI/ICC A117.1 requirements.

Job Name \_\_\_\_\_  
 Model Specified \_\_\_\_\_ Quantity \_\_\_\_\_  
 Variations Specified \_\_\_\_\_  
 Date \_\_\_\_\_



#### Features & Benefits:

- 8" EasyInstall concealed deck mount mixing faucet w/ forged brass body
- 5 3/4" swivel/rigid gooseneck
- Lock washer provided for rigid application
- 2.2 GPM vandal resistant aerator, Series 6 (B-0199-06)
- Quarter-turn Eterna compression cartridges w/ spring checks to prevent cross flow of water
- 4" wrist action handles w/ color coded indexes
- Vandal resistant screws
- 1/2" NPT male inlets w/ coupling nuts
- Material: Forged brass body, polished chrome plated brass tubular spout and chrome plated metal handles

#### Product Compliance:

- ASME A112.18.1 / CSA B125.1
- NSF 61 - Section 9
- NSF 372 (Low Lead Content)
- ANSI A117.1 (ADA)



**Warranty:** One Year (Limited)

#### Performance Data:

- Pressure: 20 - 125 psi
- Temperature: 40 °F - 140 °F
- Flow Rate: 2.2 GPM @ 60 psi

#### Optional Outlets (Series 1 / VR Series 6)

| GPM  | Aerated                                | Non-Aerated (Laminar)                   | VR Aerated                             | VR Non-Aerated (VR Laminar)             |
|------|--|---|--|---|
| 0.35 | N/A                                    | <input type="checkbox"/> B-0199-01-N035 | N/A                                    | <input type="checkbox"/> B-0199-06-N035 |
| 0.5  | N/A                                    | <input type="checkbox"/> B-0199-01-N05  | N/A                                    | <input type="checkbox"/> B-0199-06-N05  |
| 1.0  | <input type="checkbox"/> B-0199-01-F10 | N/A                                     | <input type="checkbox"/> B-0199-06-F10 | N/A                                     |
| 1.2  | <input type="checkbox"/> B-0199-01-F12 | <input type="checkbox"/> B-0199-01-LF12 | <input type="checkbox"/> B-0199-06-F12 | <input type="checkbox"/> B-0199-06-LF12 |
| 1.5  | <input type="checkbox"/> B-0199-01-WS  | <input type="checkbox"/> B-0199-29      | <input type="checkbox"/> B-0199-06-WS  | <input type="checkbox"/> B-0199-29VR    |
| 2.2  | <input type="checkbox"/> B-0199-01     | <input type="checkbox"/> B-0199-21      | Standard                               | <input type="checkbox"/> B-0199-21-VRF  |

#### Optional Handles

- 4" Wrist Action (Standard)
- Lever
- 4-Arm

#### Optional Cartridges

- Quarter-Turn Cerama w/ Check Valve
- Quarter-Turn Eterna w/ Spring Check (Standard)
- Push Button Metering
- Pivot Action Metering
- Wrist Action Metering

