



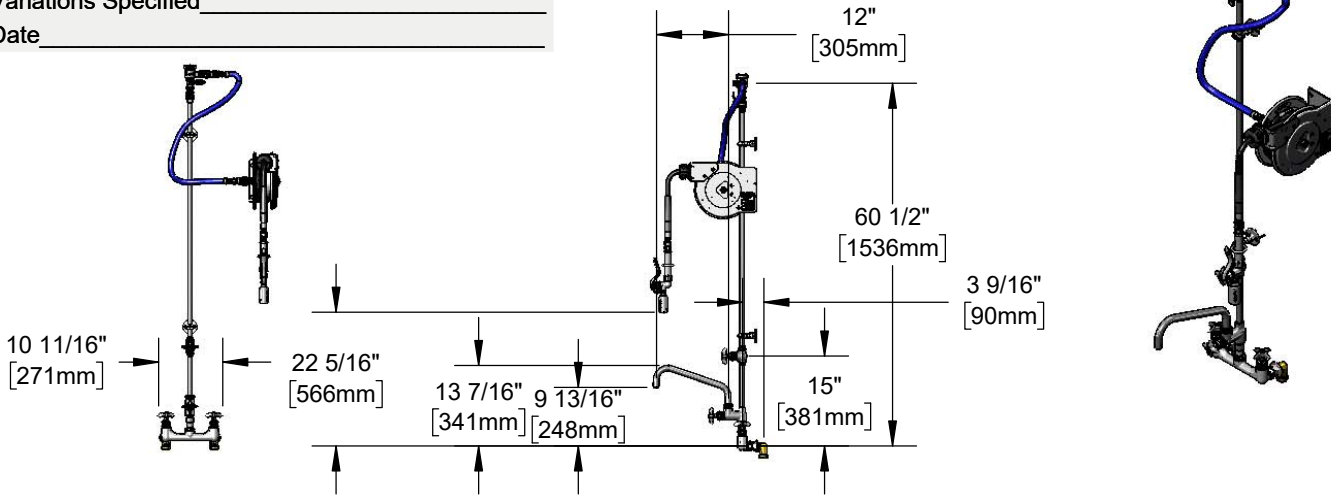
B-1439-BF12-C12

Open Stainless Steel Hose Reel Assembly

Architect/Engineering Specifications:

8" wall mount large flow mixing faucet with polished chrome plated brass body, add-on faucet with 12" plain end swing nozzle, large flow compression cartridges, 4-arm handles, 3/4" NPT female inlets, 8" riser, control valve, 40" riser, wall brackets, continuous pressure vacuum breaker, 36" flexible water hose connector with stainless steel quick disconnect, open stainless steel hose reel with 3/8" x 12' heavy-duty non-marking hose, ratcheting system, 0.65 GPM low flow spray valve with swivel, multi-fit bracket and adjustable hose bumper. Certified to ASSE 1056.

Job Name _____
 Model Specified _____ Quantity _____
 Variations Specified _____
 Date _____



Features & Benefits:

- All-in-one system with exposed piping and accessories
- 8" wall mount Big-Flo mixing faucet w/ polished chrome plated brass body
- Big-Flo compression cartridges
- 4-arm handles w/ color coded indexes
- 3/4" NPT female eccentric inlets with Ø 2" flanges
- Adjustable centers from 7 3/4" to 8 1/4"
- 8" and 40" rigid risers w/ control valve between risers
- Big-Flo add-on faucet w/ 12" plain-end swing spout
- (2) 2 3/8" wall brackets
- Continuous pressure vacuum breaker
- 36" flexible water hose connector with stainless steel quick disconnect
- Open stainless steel hose reel
- Low flow spray valve w/ heat resistant grey handle, swivel and hold down ring
- 3/8" x 12' heavy-duty non-marking hose rated to 300 PSI
- Ratcheting system holds the length of hose until a slight tug to retract automatically
- Adjustable hose bumper
- Multi-fit bracket for wall, ceiling or under counter mounting
- 3/4" NPT female elbow installation kit.
- Material: Polished chrome plated brass faucet body, risers and spray valve body, chrome plated metal handles, control valve and vacuum breaker and stainless steel reel.

Product Compliance:

- NSF 61 Exempt (Non-Potable)
- EPA WaterSense (PRSV)
- ASSE 1056 (VB)



Warranty: One Year (Limited)

Hose Reel: Two Year (Limited)

Hose: One Year (Limited)

Performance Data:

- Pressure: 20 - 125 psi
- Temperature: 40 °F - 140 °F
- Flow Rate:
 - Spray Valve: 0.65 GPM @ 60 psi
 - Add-On Faucet: 44.27 GPM @ 60 psi

Optional Hose Reel Spray Valves

- B-0107 Spray Valve
- B-0108 Ergonomic Medium Flow Spray Valve
- B-0108-H Ergonomic High Flow Spray Valve
- EB-0107 High Flow Spray Valve
- EB-2322 Extended Spray Wand
- MV-2516-24 Stainless Steel Rear Trigger Water Gun
- MV-2522-24 Stainless Steel Front Trigger Water Gun
- MV-3516-24 Aluminum Rear Trigger Water Gun

