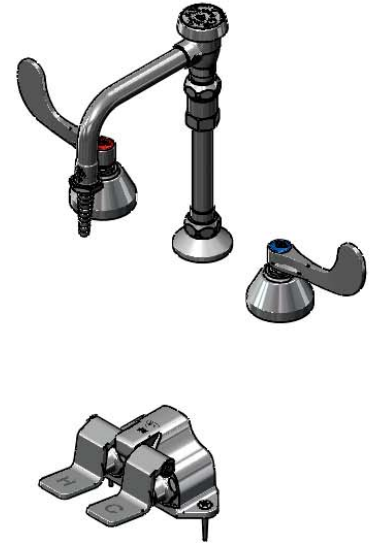
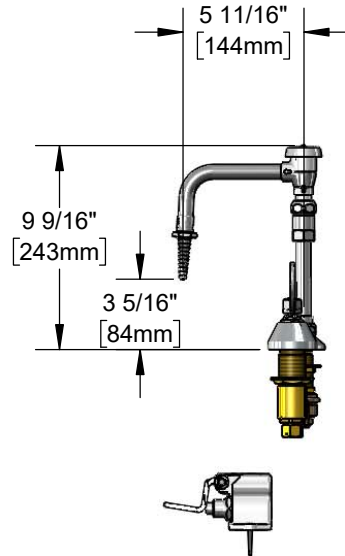
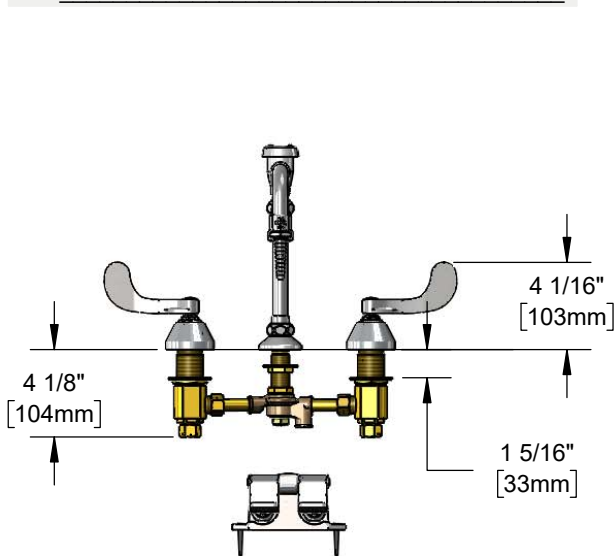




Architect/Engineering Specifications:

8" adjustable center, concealed deck mount mixing faucet, swing nozzle with vacuum breaker and serrated tip, compression cartridges with spring checks, 4" wrist action handles, chrome plated escutcheons, pedal valve inlet, floor mounted double pedal valve and 1/2" NPT male inlets. Certified to ASME A112.18.1/CSA B125.1, NSF 61-Section 9 and NSF 372. Meets ADA ANSI/ICC A117.1 requirements.

Job Name _____
 Model Specified _____ Quantity _____
 Variations Specified _____
 Date _____



Features & Benefits:

- 8" (max.) adjustable center, deck mount lavatory mixing faucet
- Floor mounted double pedal valve
- Polished chrome plated swing nozzle w/ vacuum breaker
- Serrated tip outlet
- 4" wrist action handles with color coded indexes
- Quarter-turn Eterna compression cartridges w/ spring checks to prevent the cross flow of water
- 1/2" NPT male inlets with coupling nuts
- 1/4" NPT female pedal valve inlet
- Material: Forged brass body, chrome plated metal handles and escutcheons & polished chrome plated pedal valve & brass tubular spout

Product Compliance:

- ASME A112.18.1 / CSA B125.1
- NSF 61 - Section 9
- NSF 372 (Low Lead Content)
- ANSI A117.1 (ADA)

Warranty: One Year (Limited)

Performance Data:

- Pressure: 20 - 125 psi
- Temperature: 40 °F - 140 °F
- Flow Rate: TBD GPM @ 60 psi



ADA Compliant

Optional Handles

- 4" Wrist Action (Standard)
- Lever
- 4-Arm

Optional Cartridges

- Quarter-Turn Cerama w/ Check Valve
- Quarter-Turn Eterna w/ Spring Check (Standard)
- Push Button Metering
- Pivot Action Metering
- Wrist Action Metering

