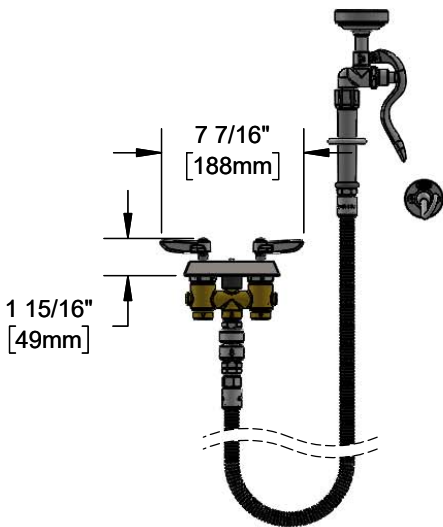




Architect/Engineering Specifications:

3" deck mount concealed mixing faucet with polished chrome plated brass body, compression cartridges with spring check, lever handles, 68" flexible stainless steel hose, 3/8" NPT vacuum breaker, 1.15 GPM spray valve, wall hook, 3/8" NPT male inlets and chrome plated escutcheon. Certified to ASME A112.18.1/CSA B125.1, NSF 61-Section 9, NSF 372 and CSA B64.8. 2019 DOE PRSV - Class II compliant.

Job Name _____
 Model Specified _____ Quantity _____
 Variations Specified _____
 Date _____



Features & Benefits:

- 3" deck mount concealed mixing faucet with polished chrome plated brass body
- Quarter-turn Eterna compression cartridges with spring checks to prevent cross flow of water
- Lever handles w/ color coded indexes
- 3/8" NPT vacuum breaker
- 1.15 GPM spray valve
- 68" flexible stainless steel hose
- Wall hook holds spray valve when not in use
- 3/8" NPT male inlets
- 1/2" NPT check valves
- Chrome plated escutcheon
- Material: Polished chrome plated brass body, spray valve body & escutcheon, stainless steel hose, chrome plated metal wall bracket & handles

Product Compliance:

- ASME A112.18.1 / CSA B125.1
- NSF 61 - Section 9
- NSF 372 (Low Lead Content)
- 2019 DOE PRSV - Class II
- CSA B64.8 (VB)



Warranty: One Year (Limited)

Performance Data:

- Pressure: 20 - 125 psi
- Temperature: 40 °F - 140 °F
- Flow Rate: 1.15 GPM @ 60 psi

Optional Handles

- 4" Wrist Action
- Lever (Standard)

Optional Cartridges With Checks

- Quarter-Turn Cerama w/ Check Valve
- Quarter-Turn Eterna w/ Spring Check (Standard)

