



# Concealed Mixing Faucets

## B-0512-0101

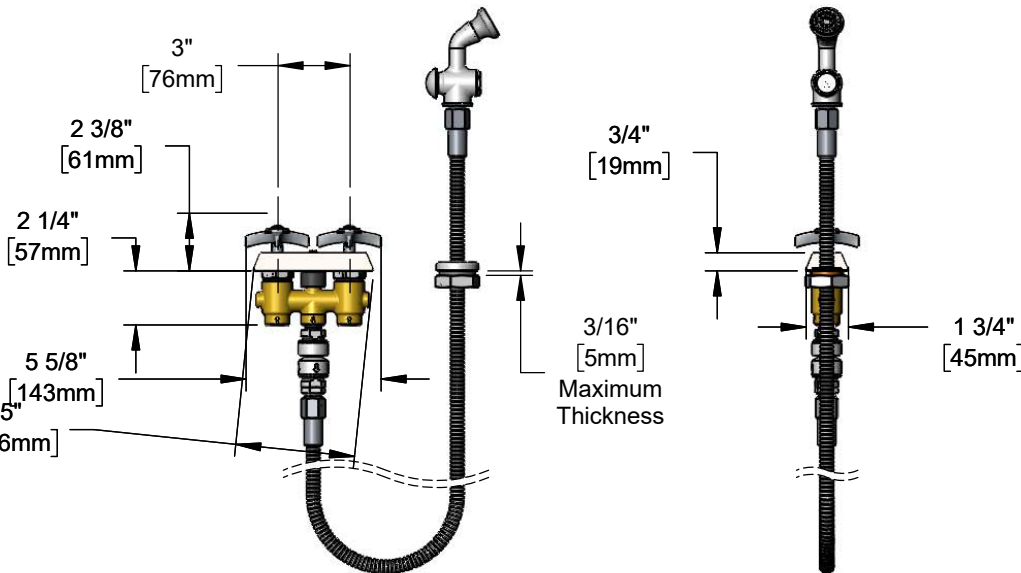
TAG:

### Concealed Mixing Faucet with Spray Valve

#### Architect/Engineering Specifications:

3" concealed mixing faucet with compression cartridges, lever handles, 3/8" NPT female inlets and outlet, chrome plated escutcheon, vacuum breaker, protective flange, 72" flexible stainless steel hose and spray valve with 2.2 GPM rosespray outlet. Certified to ASME A112.18.1/CSA B125.1, NSF 61-Section 9 and NSF 372.

Job Name \_\_\_\_\_  
 Model Specified \_\_\_\_\_ Quantity \_\_\_\_\_  
 Variations Specified \_\_\_\_\_  
 Date \_\_\_\_\_



#### Features & Benefits:

- 3" concealed mixing faucet
- Eterna compression cartridges
- Lever handles w/ color coded indexes
- 3/8" NPT male inlets
- 3/8" NPT male outlet
- Vacuum breaker
- Protective flange
- 72" flexible stainless steel hose
- Spray valve w/ 2.2 GPM rosespray outlet
- Chrome plated escutcheon
- Material: Brass body, stainless steel hose and chrome plated metal handles

#### Product Compliance:

- ASME A112.18.1 / CSA B125.1
- NSF 61 - Section 9
- NSF 372 (Low Lead Content)

**Warranty:** One Year (Limited)

#### Performance Data:

- Pressure: 20 - 125 psi
- Temperature: 40 °F - 140 °F
- Flow Rate: 2.2 GPM @ 60 psi

#### Optional Handles

- 4" Wrist Action
- Lever (Standard)
- 4-Arm

#### Optional Cartridges

- Quarter-Turn Cerama
- Eterna (Standard)
- Quarter-Turn Eterna



T&S BRASS AND BRONZE WORKS, INC.



• 2 Saddleback Cove • Travelers Rest, SC 29690  
 Ph 800-476-4103 • Fax 864-834-3518  
 • Simi Valley, CA • Ph 800-423-0150 • www.tsbrass.com

Date: 08/01/19