



Swivel/Rigid Sink and Pantry Faucets

B-0305-CR-TL

TAG:

Single Pantry Faucet

Architect/Engineering Specifications:

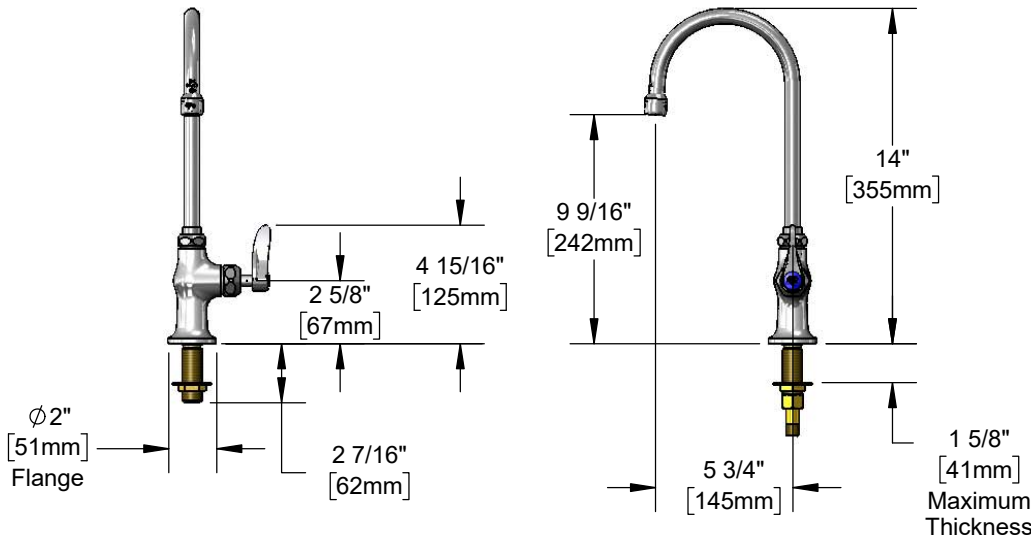
Single hole single temperature tin lined deck mount faucet with polished chrome plated brass body, 5 3/4" swivel gooseneck with stream regulator outlet, ceramic cartridge with check valve, lever handle and 1/2" NPSM male inlet. Certified to ASME A112.18.1/CSA B125.1 and NSF 372. Meets ADA ANSI/ICC A117.1 requirements.

Job Name _____

Model Specified _____ Quantity _____

Variations Specified _____

Date _____



Features & Benefits:

- Single hole single temperature tin lined deck mount faucet w/ polished chrome plated brass body
- 5 3/4" swivel gooseneck w/ stream regulator outlet
- Tin-lined for deionized or reverse osmosis water
- Tin-lined Quarter-turn Cerama cartridge w/ check valve
- Lever handle w/ blue color coded index
- 1/2" NPSM male inlet
- Optional tailpiece and nut for 1/4" NPT male connection
- Material: Polished chrome plated brass body & tubular spout and chrome plated metal handles

Product Compliance:

- ASME A112.18.1 / CSA B125.1
- NSF 372 (Low Lead Content)
- ANSI A117.1 (ADA)



Warranty: One Year (Limited)

- Cerama Cartridge: Lifetime (Limited)



Performance Data:

- Pressure: 20 - 125 psi
- Temperature: 40 °F - 180 °F
- Flow Rate: 4.06 GPM @ 60 psi



ADA Compliant

Optional Handles

- 4" Wrist Action
- Lever (Standard)
- 4-Arm



T&S BRASS AND BRONZE WORKS, INC.



• 2 Saddleback Cove • Travelers Rest, SC 29690
 Ph 800-476-4103 • Fax 864-834-3518
 • Simi Valley, CA • Ph 800-423-0150 • www.tsbrass.com

Date: 02/28/18