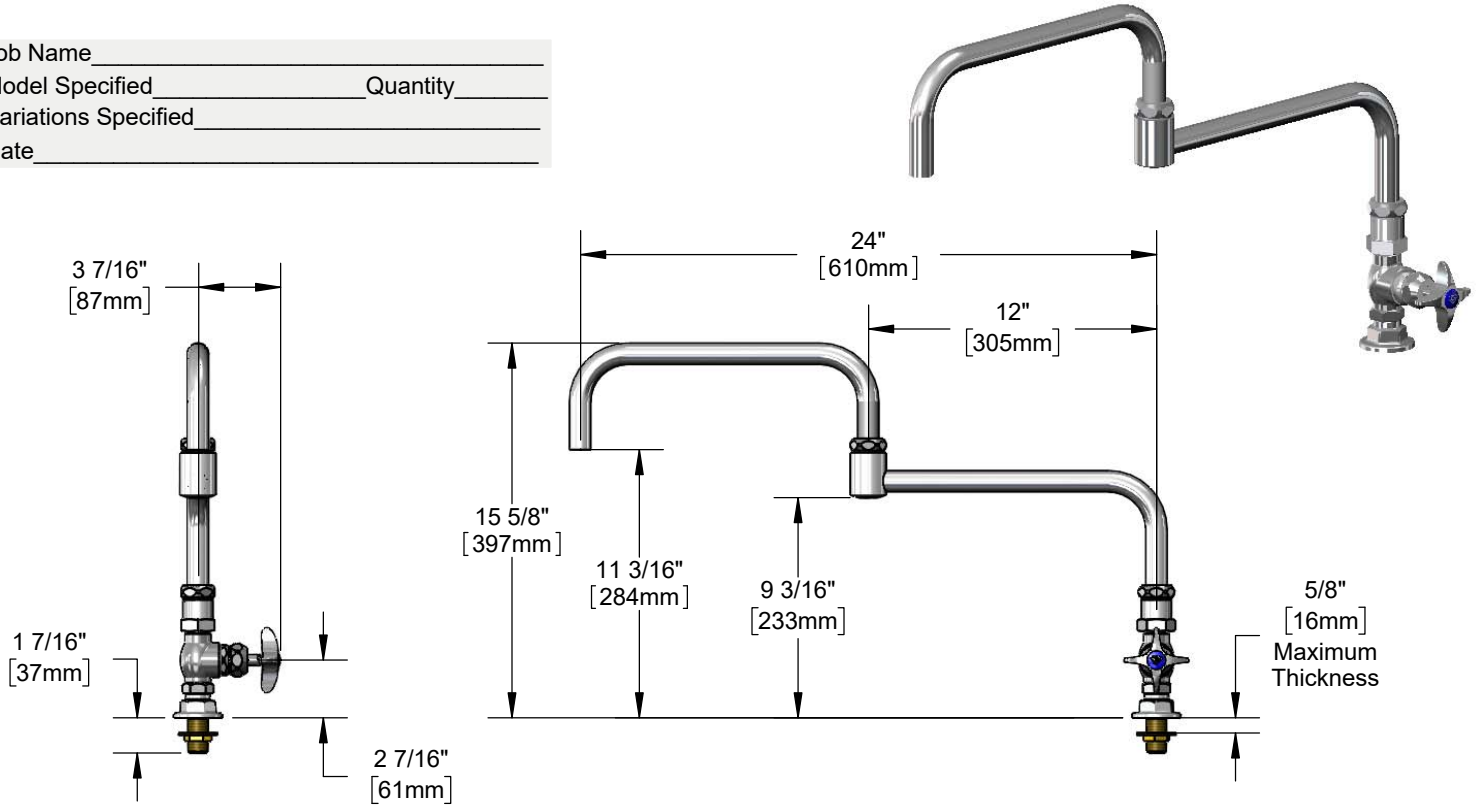




#### Architect/Engineering Specifications:

Single hole single temperature large flow deck mount faucet with polished chrome plated brass body, 24" double joint swing nozzle with plain end outlet, compression spindle, 4-arm handle, and 1/2" NPT male inlet. Certified to ASME A112.18.1/CSA B125.1, NSF 61-Section 9 and NSF 372. Meets ADA ANSI/ICC A117.1 requirements.

Job Name \_\_\_\_\_  
 Model Specified \_\_\_\_\_ Quantity \_\_\_\_\_  
 Variations Specified \_\_\_\_\_  
 Date \_\_\_\_\_



#### Features & Benefits:

- Single hole single temperature Big-Flo deck mount faucet
- 24" Big-Flo plain end double joint swing nozzle
- Big-Flo compression cartridge
- 4-arm handle w/ blue index
- 1/2" NPT male inlet
- Ø 2" deck flange
- Material: Polished chrome plated brass body & tubular spout and chrome plated metal handle

#### Product Compliance:

- ASME A112.18.1 / CSA B125.1
- NSF 61 - Section 9
- NSF 372 (Low Lead Content)
- ANSI A117.1 (ADA)

**Warranty:** One Year (Limited)

#### Performance Data:

- Pressure: 20 - 125 psi
- Temperature: 40 °F - 140 °F
- Flow Rate: 8.70 GPM @ 60 psi

