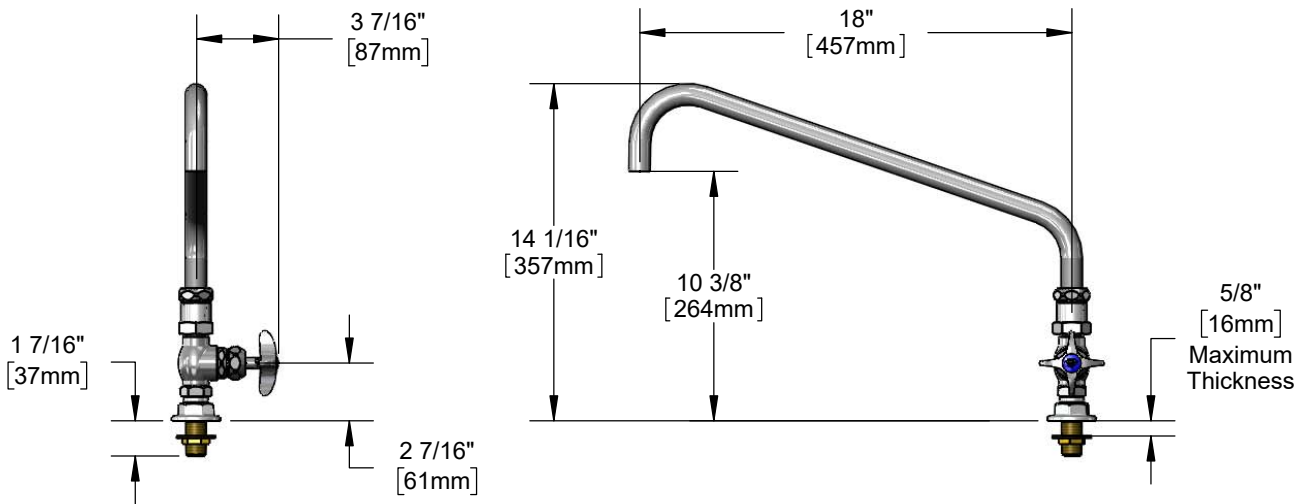




Architect/Engineering Specifications:

Single hole single temperature large flow deck mount faucet with polished chrome plated brass body, 18" swing nozzle with plain end outlet, compression spindle, 4-arm handle, and 1/2" NPT male inlet. Certified to ASME A112.18.1/CSA B125.1, NSF 61-Section 9 and NSF 372. Meets ADA ANSI/ICC A117.1 requirements.

Job Name _____
 Model Specified _____ Quantity _____
 Variations Specified _____
 Date _____



Features & Benefits:

- Single hole single temperature Big-Flo deck mount faucet
- 18" Big-Flo plain end swing nozzle
- Lock washer provided for rigid application
- Big-Flo compression spindle
- 4-arm handle w/ blue index
- 1/2" NPT male inlet
- Ø 2" deck flange
- Material: Polished chrome plated brass body & tubular spout and chrome plated metal handle

Product Compliance:

- ASME A112.18.1 / CSA B125.1
- NSF 61 - Section 9
- NSF 372 (Low Lead Content)
- ANSI A117.1 (ADA)

Warranty: One Year (Limited)

Performance Data:

- Pressure: 20 - 125 psi
- Temperature: 40°F - 140°F
- Flow Rate: 8.70 GPM @ 60 psi

