



Big-Flo Faucets

B-0296-LN

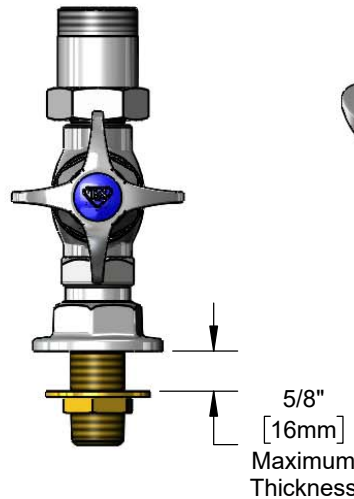
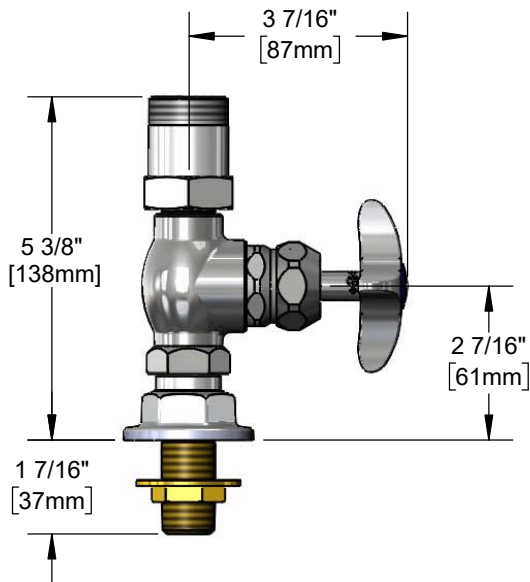
TAG:

Big-Flo Faucet

Architect/Engineering Specifications:

Single hole single temperature large flow deck mount faucet with polished chrome plated brass body, compression spindle, 4-arm handle, and 1/2" NPT male inlet. Certified to ASME A112.18.1/CSA B125.1, NSF 61-Section 9 and NSF 372. Meets ADA ANSI/ICC A117.1 requirements.

Job Name _____
 Model Specified _____ Quantity _____
 Variations Specified _____
 Date _____



Features & Benefits:

- Single hole single temperature Big-Flo deck mount faucet
- Big-Flo compression spindle
- 4-arm handle w/ blue index
- Lock washer provided for rigid application
- 1/2" NPT male inlet
- Ø 2" deck flange
- Material: Polished chrome plated brass body and chrome plated metal handle

Big-Flo Swing Nozzles

- 110X 8" Swing Nozzle
- 112X 10" Swing Nozzle
- 114X 12" Swing Nozzle
- 014462-40 14" Swing Nozzle
- 015297-40 16" Swing Nozzle
- 115X 18" Swing Nozzle
- BF-0178-A 18 1/2" Double Joint Swing Nozzle
- 116X 24" Double Joint Swing Nozzle

Product Compliance:

- ASME A112.18.1 / CSA B125.1
- NSF 61 - Section 9
- NSF 372 (Low Lead Content)
- ANSI A117.1 (ADA)



Warranty: One Year (Limited)

Performance Data:

- Pressure: 20 - 125 psi
- Temperature: 40 °F - 140 °F
- Flow Rate: 8.42 GPM @ 60 psi



(Outlet Device &/or Final Configuration May Reduce Flow Rate)



T&S BRASS AND BRONZE WORKS, INC.



• 2 Saddleback Cove • Travelers Rest, SC 29690
 Ph 800-476-4103 • Fax 864-834-3518
 • Simi Valley, CA • Ph 800-423-0150 • www.tsbrass.com

Date: 06/15/18