



Pot and Kettle Fillers
B-0185

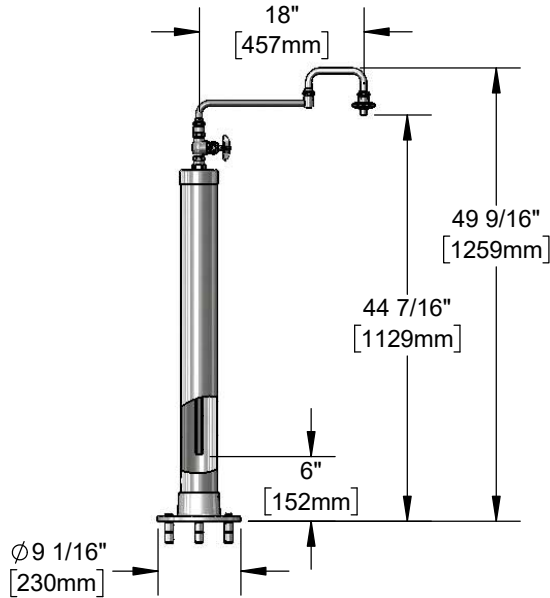
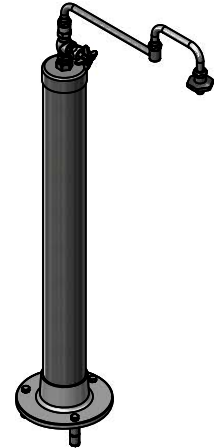
TAG:

Kettle Filler Stanchion

Architect/Engineering Specifications:

Stanchion with chrome plated brass body, 18" double joint swing nozzle, and on-off volume control outlet with insulated grip. Certified to ASME A112.18.1/CSA B125.1, NSF 61-Section 9 and NSF 372.

Job Name _____
 Model Specified _____ Quantity _____
 Variations Specified _____
 Date _____



Features & Benefits:

- Stanchion w/ polished chrome plated brass body
- 18" double joint swing nozzle
- On/off volume control outlet w/ insulated grip
- 4-arm handle w/ color coded index
- Control valve w/ Big-Flo compression spindle
- Material: Polished chrome plated brass stanchion, tubular nozzle and chrome plated metal handle

Product Compliance:

- ASME A112.18.1 / CSA B125.1
- NSF 61 - Section 9
- NSF 372 (Low Lead Content)



Warranty: One Year (Limited)

Performance Data:

- Pressure: 20 - 125 psi
- Temperature: 40°F - 140°F
- Flow Rate: 19.20 GPM @ 60 psi



T&S BRASS AND BRONZE WORKS, INC.



• 2 Saddleback Cove • Travelers Rest, SC 29690
 Ph 800-476-4103 • Fax 864-834-3518
 • Simi Valley, CA • Ph 800-423-0150 • www.tsbrass.com

Date: 06/15/18