



Pre-Rinse Units

B-0142

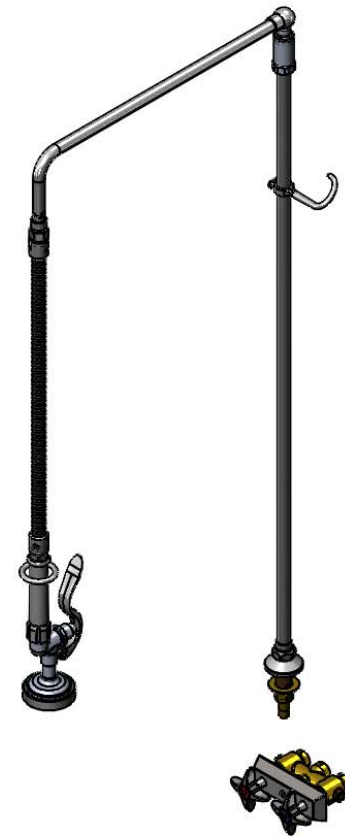
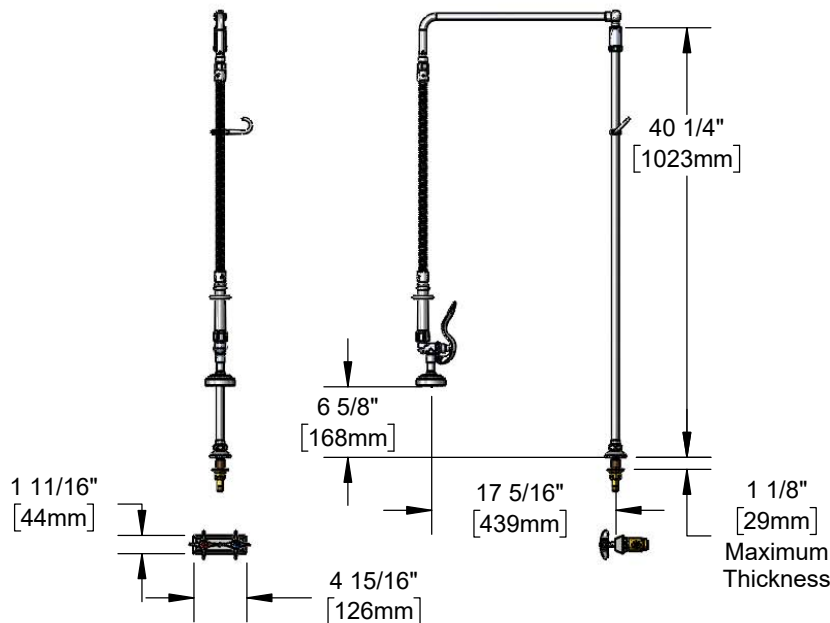
TAG:

Pre-Rinse Unit

Architect/Engineering Specifications:

Single hole deck mount dummy pre-rinse and remote control valve with polished chrome plated brass bodies, 38" riser, 18" swivel arm, 26" flexible stainless steel hose with heat resistant handle, 1.15 GPM spray valve, compression cartridges and spray valve holder. Certified to ASME A112.18.1/CSA B125.1, NSF 61-Section 9 and NSF 372. 2019 DOE PRSV - Class II compliant.

Job Name _____
 Model Specified _____ Quantity _____
 Variations Specified _____
 Date _____



Features & Benefits:

- Single hole deck mount dummy pre-rinse and remote control valve w/ polished chrome plated brass bodies
- EasyInstall riser for quick installation
- 18" swivel arm
- 26" flexible stainless steel hose w/ heat resistant gray handle
- 1.15 GPM spray valve
- Concealed mixing faucet w/ Eterna cartridges
- 4-arm handles w/ color coded indexes
- Piping provided by others
- 1/2" NPSM shank w/ tailpiece and nut for 1/4" NPT connections
- Material: Polished chrome plated brass bodies, riser & spray valve head, stainless steel hose, and chrome plated metal pedals

Product Compliance:

- ASME A112.18.1 / CSA B125.1
- NSF 61 - Section 9
- NSF 372 (Low Lead Content)
- 2019 DOE PRSV - Class II

Warranty: One Year (Limited)

Performance Data:

- Pressure: 20 - 125 psi
- Temperature: 40 °F - 140 °F
- Flow Rate: 1.15 GPM @ 60 psi



Optional Pre-Rinse Spray Valves

- B-0107 (1.15 GPM) (Standard)
- B-0107-C (0.65 GPM)
- B-0107-J (1.07 GPM)
- B-0108 (1.07 GPM)
- B-0108-C (0.65 GPM)

Optional Cartridges

- Quarter-Turn Cerama
- Eterna (Standard)
- Quarter-Turn Eterna



T&S BRASS AND BRONZE WORKS, INC.



• 2 Saddleback Cove • Travelers Rest, SC 29690
 Ph 800-476-4103 • Fax 864-834-3518
 • Simi Valley, CA • Ph 800-423-0150 • www.tsbrass.com

Date: 09/30/19