

**T&S BRASS AND BRONZE WORKS, INC.**  
 2 SADDLEBACK COVE / P.O. BOX 1088 / TRAVELERS REST, SC 29690  
 PHONE 800-476-4103 - FAX 864- 834-3518



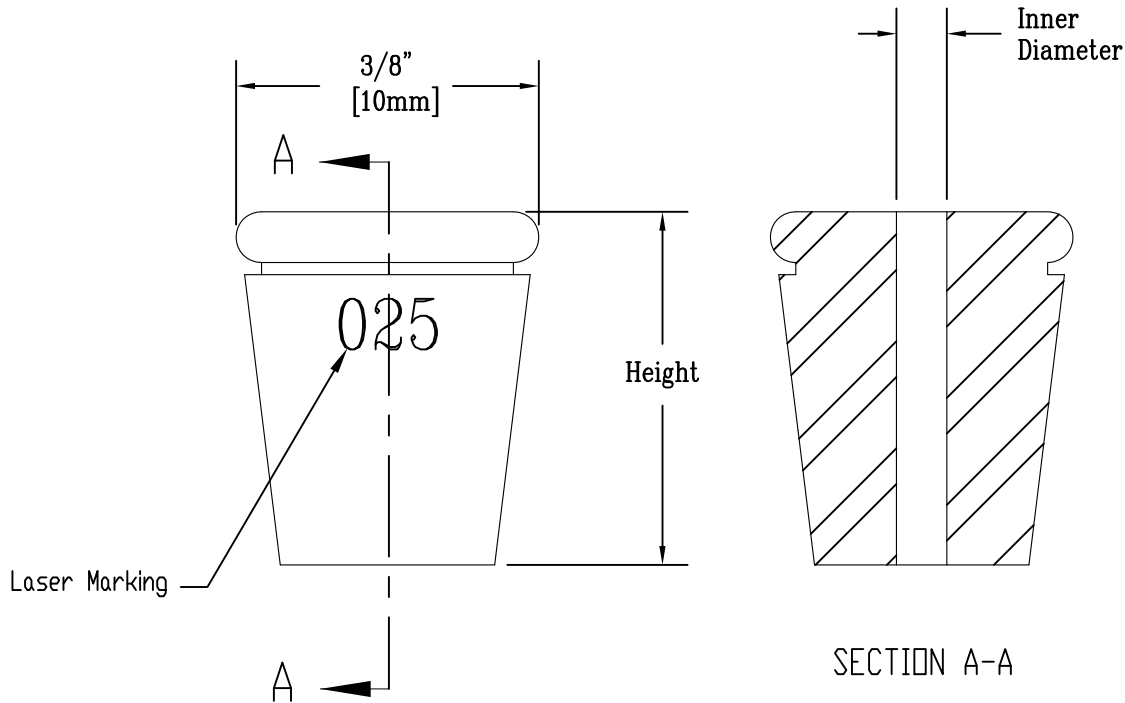
Sales No.  
 Flow Towers  
**RELIABILITY  
 BUILT IN**

Job Name:

Architect/Engineer Approval:

Notes:

| SALES NUMBER | HEIGHT | INNER DIAMETER | LASER MARKING | PREVIOUS COLOR | FLOW RATE |
|--------------|--------|----------------|---------------|----------------|-----------|
| 001639-45    | 7/16   | 0.047          | 025           | Blank          | 0.25 GPM  |
| 001640-45    | 7/16   | 0.063          | 040           | Brown          | 0.4 GPM   |
| 001641-45    | 7/16   | 0.078          | 070           | Green          | 0.7 GPM   |
| 001642-45    | 7/16   | 0.094          | 090           | Gray           | 0.9 GPM   |
| 001643-45    | 7/16   | 0.109          | 120           | Orange         | 1.2 GPM   |
| 001644-45    | 7/16   | 0.109          | 140           | Purple         | 1.4 GPM   |
| 016232-45    | 7/16   | 0.125          | 160           | Red            | 1.6 GPM   |
| 001645-45    | 7/16   | 0.125          | 200           | Yellow         | 2.0 GPM   |



Note: Flow rates below 1.0 GPM are not recommended for Plain End outlets.

|   |                 |                |                   |
|---|-----------------|----------------|-------------------|
| Product Description:<br>Flow Tower Series | Drawn:<br>KJG   | Checked<br>DMH | Scale:<br>4 : 1   |
|   | Approved<br>JHB |                | Date:<br>10/06/11 |