



**T&S BRASS AND BRONZE WORKS, INC.**  
 2 Saddleback Cove / P.O. Box 1088  
 Travelers Rest, SC 29690

Model No.  
**019105-40**

Item No.

Travelers Rest, SC: 800-476-4103 • Simi Valley, CA: 800-423-0150 • Fax: 864-834-3518 • www.tsbrass.com

**NOTE: This Product Is Not Designed And/Or Rated For Potable / Drinking Water Applications**

This Space for Architect/Engineer Approval

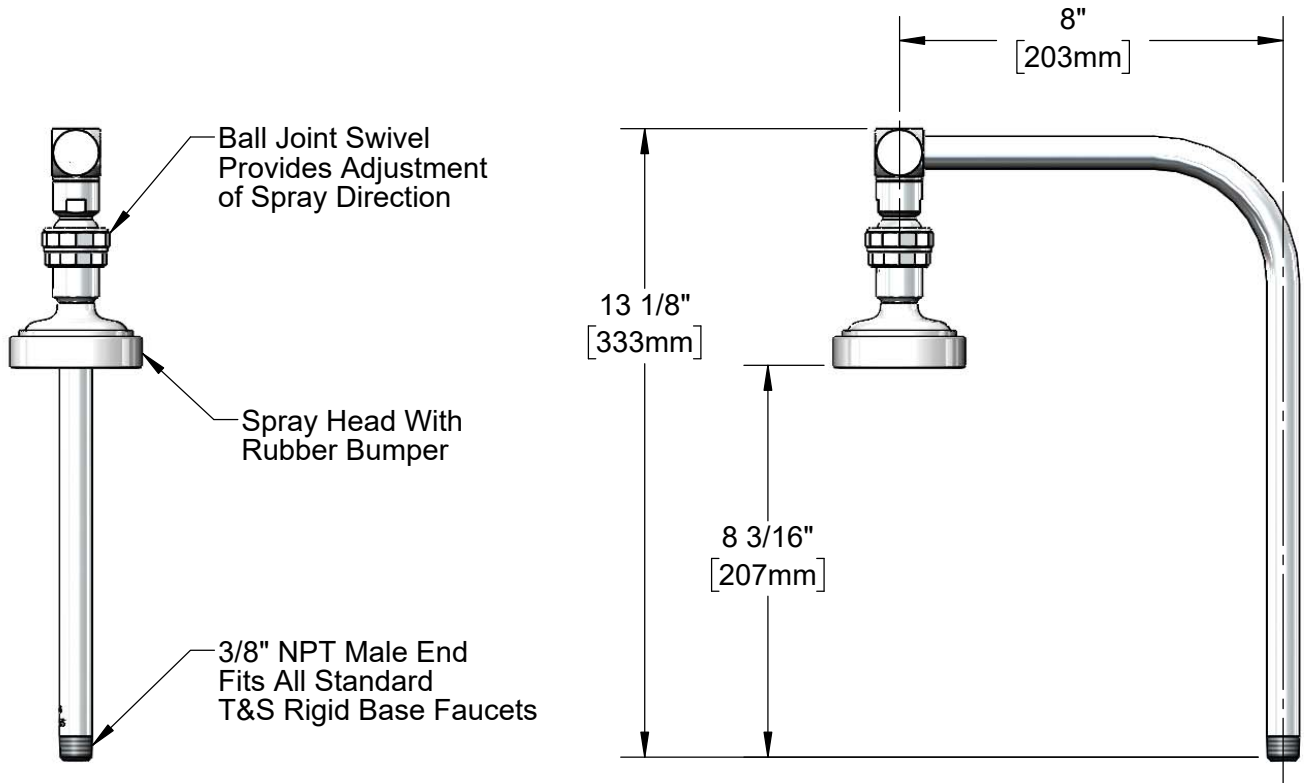
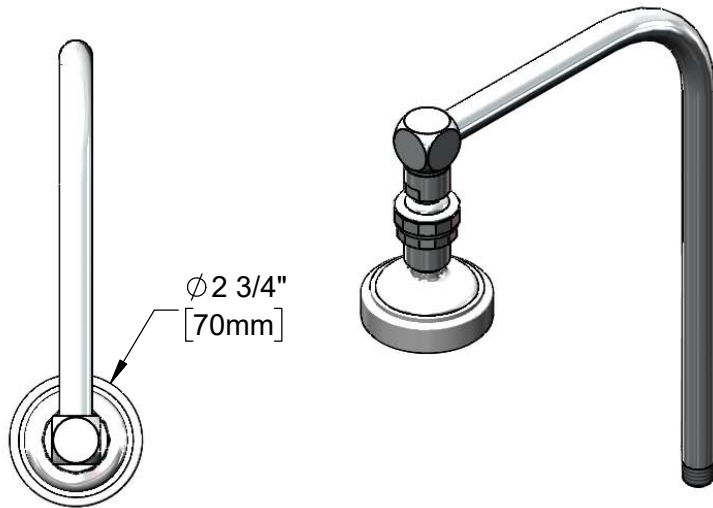
Job Name \_\_\_\_\_ Date \_\_\_\_\_

Model Specified \_\_\_\_\_ Quantity \_\_\_\_\_

Customer/Wholesaler \_\_\_\_\_

Contractor \_\_\_\_\_

Architect/Engineer \_\_\_\_\_



Product Specifications:  
 Rigid Nozzle w/ Ball Joint Swivel and 1.15 GPM Spray Head

Product Compliance:  
 ASME A112.18.1 / CSA B125.1  
 NSF 372 (Low Lead Content)  
 2019 DOE PRSV - Class II