



T&S BRASS AND BRONZE WORKS, INC.
 2 Saddleback Cove / P.O. Box 1088
 Travelers Rest, SC 29690

Model No.
018490-40

Item No.

Travelers Rest, SC: 800-476-4103 • Simi Valley, CA: 800-423-0150 • Fax: 864-834-3518 • www.tsbrass.com

This Space for Architect/Engineer Approval

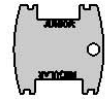
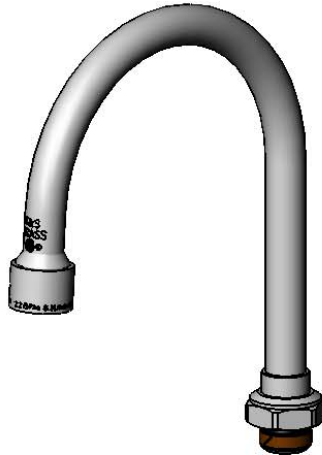
Job Name _____ Date _____

Model Specified _____ Quantity _____

Customer/Wholesaler _____

Contractor _____

Architect/Engineer _____

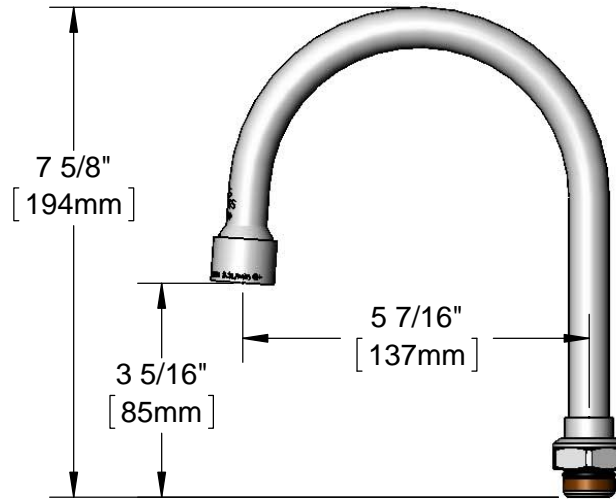


015425-45
 Vandal Resistant Key
 (Included)



B-0199-06
 2.2 GPM VR
 Aerator

Swivel Joint Fits
 All Standard T&S
 Swivel Outlets



Product Specifications:
 Swivel Gooseneck with 5 7/16" Spread & 2.2 GPM Vandal Resistant
 Aerator

Drawn

DMH

Checked

GEF

Approved

JHB

Scale:

1:3

Date:

03/12/14