



T&S BRASS AND BRONZE WORKS, INC.

2 SADDLEBACK COVE / P.O. BOX 1088 / TRAVELERS REST, SC 29690
PHONE 800-476-4103 FAX 864-834-3518



Model No.

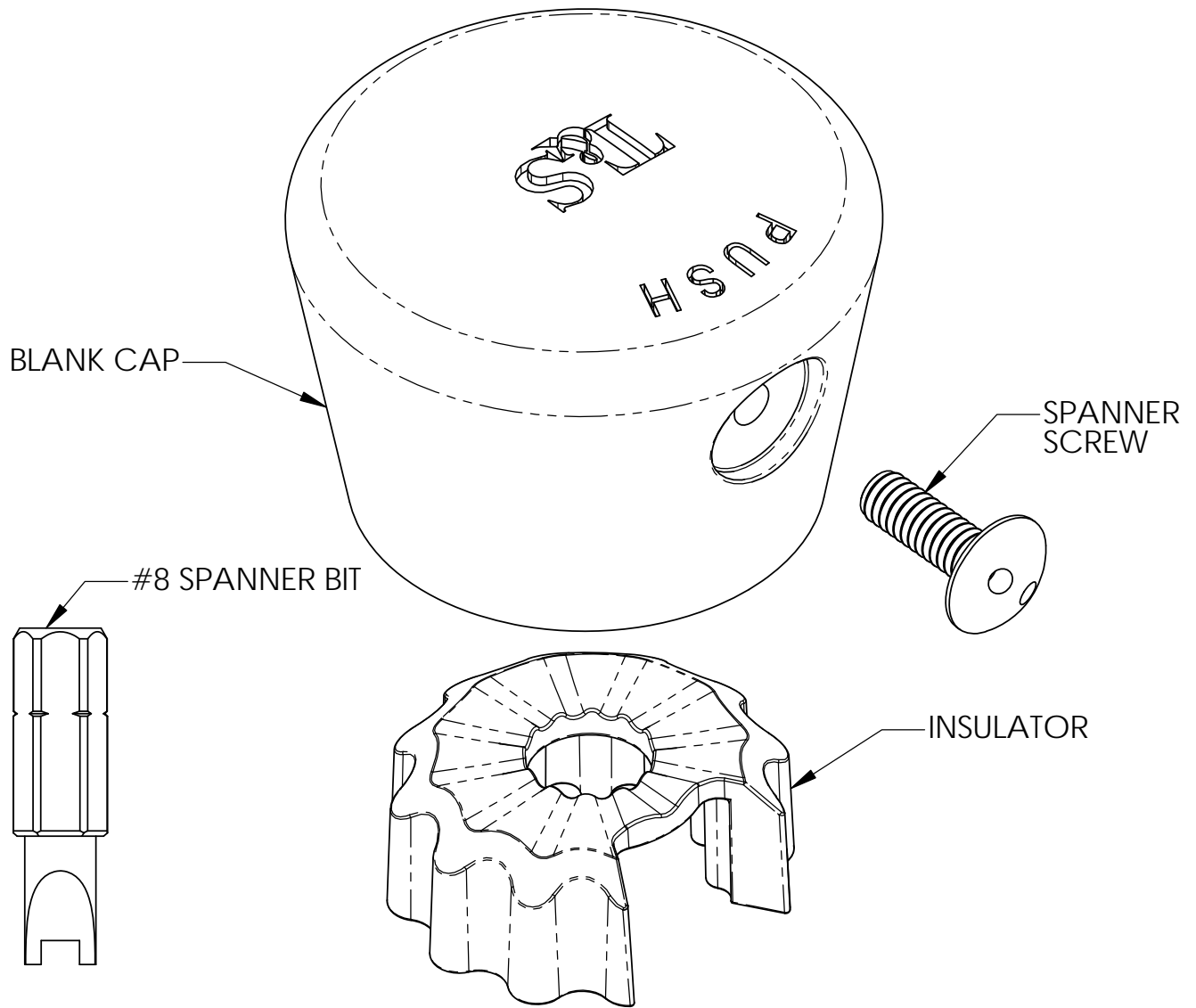
Item No.

014193-40

Job Name:

Architect/Engineer Approval:

Notes:



Product Description:

**BLANK PUSH BUTTON
CAP ASSEMBLY**

Drawn:

LEL

Checked:

MVW

Scale:

2:1

Approved:

MVW

Date:

3/18/2004