



T&S BRASS AND BRONZE WORKS, INC.

2 SADDLEBACK COVE / P.O. BOX 1088 / TRAVELERS REST, SC 29690

PHONE 800-476-4103

FAX 803- 834-3518



REG.#A2601
ISO #9002

Model No.

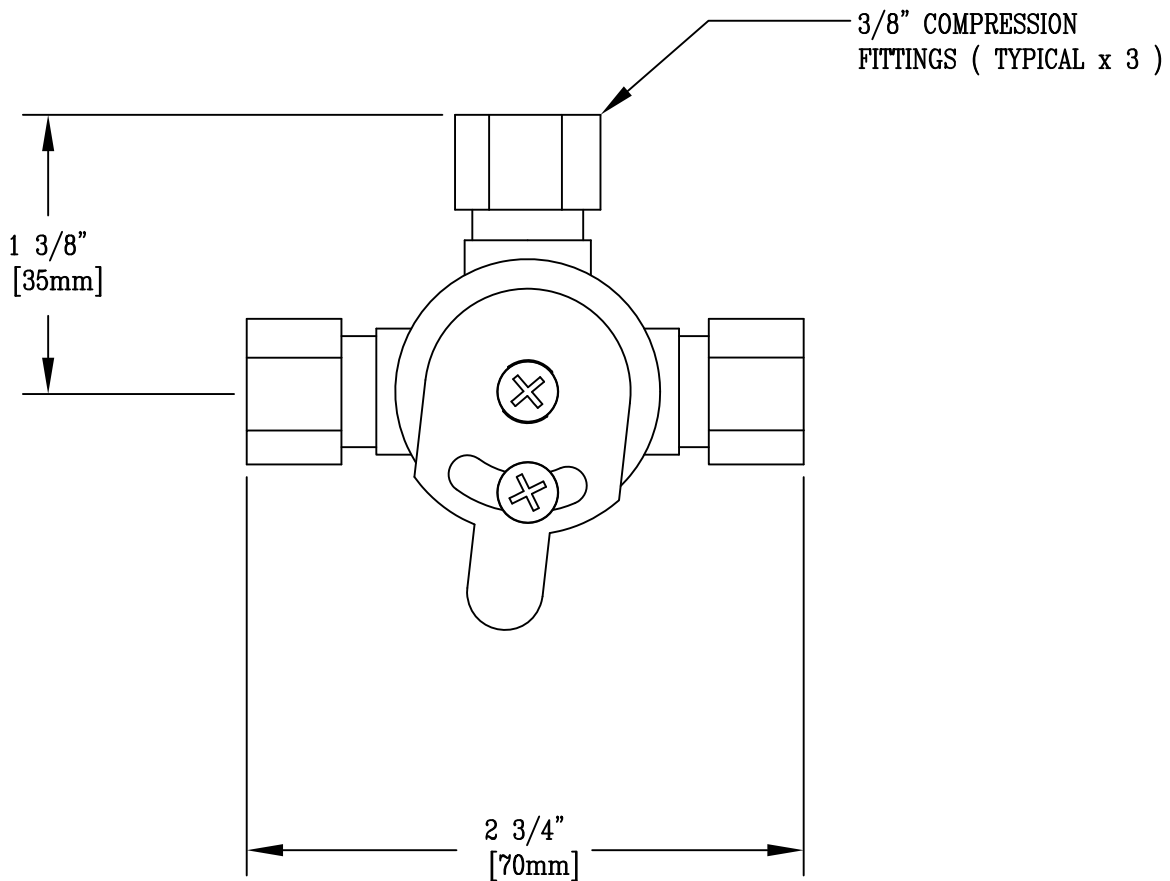
013130-45

Item No.:

Job Name:

Architect/Engineer Approval:

Notes:



Product Description:

MIXING VALVE FOR OLD-STYLE ELECTRONIC FAUCET SERIES
(NOT RATED FOR POTABLE WATER APPLICATIONS)

Drawn:

GEF

Approved

JHB

Checked

DHL

Scale:

1 : 1

Date:

5/9/08