



T&S BRASS AND BRONZE WORKS, INC.
 2 Saddleback Cove / P.O. Box 1088
 Travelers Rest, SC 29690



REG. #A2601
 ISO #9001

Model No.
005963-40

Item No.

Travelers Rest, SC: 800-476-4103 Simi Valley, CA: 800-423-0150 Fax: 864-834-3518 www.tsbrass.com

This Space for Architect/Engineer Approval

Job Name _____ Date _____

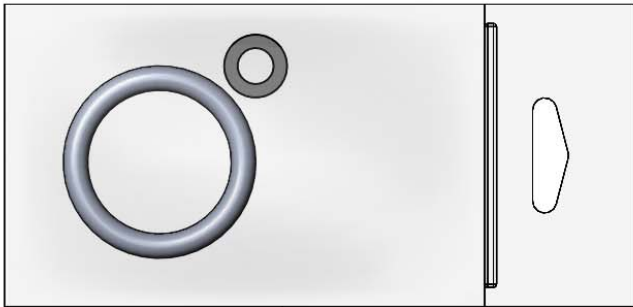
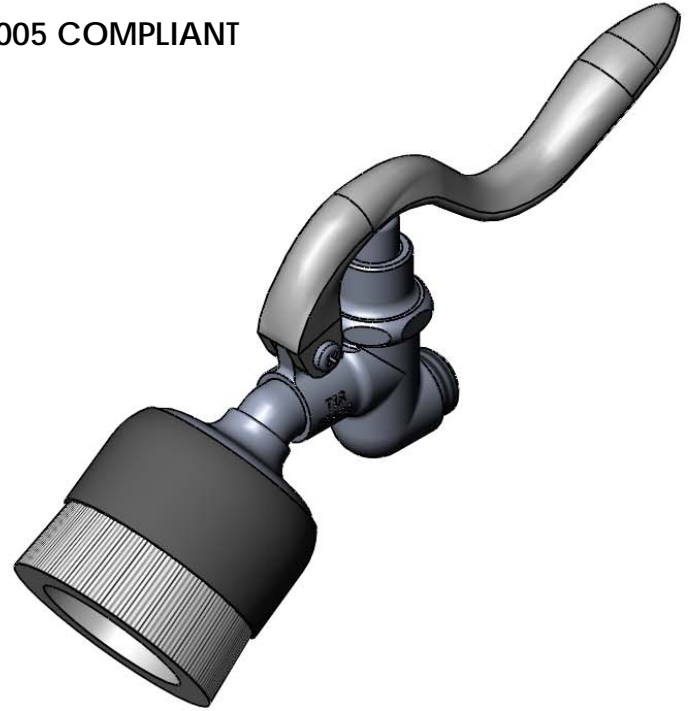
Model Specified _____ Quantity _____

Customer/Wholesaler _____

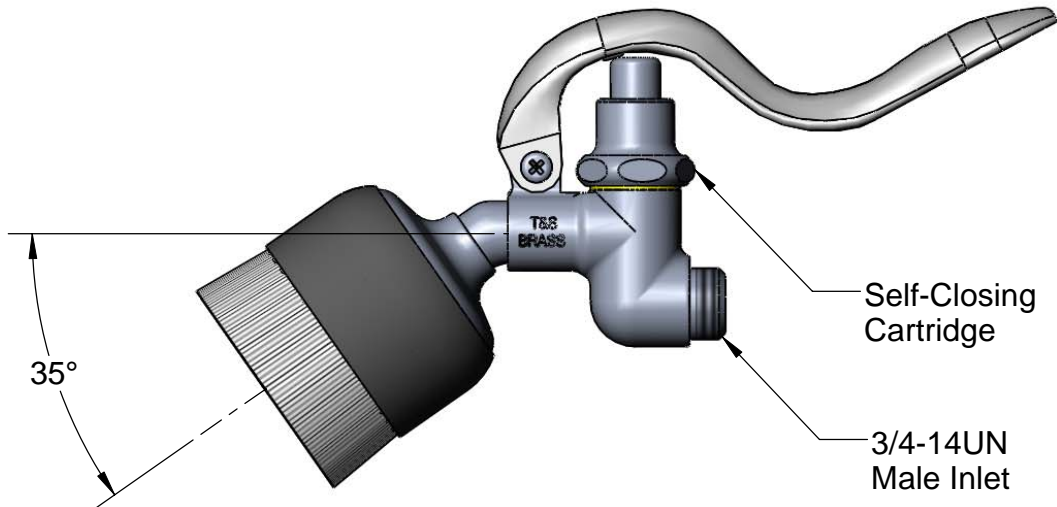
Contractor _____

Architect/Engineer _____

EPAct2005 COMPLIANT



Furnished w/ Hose Washer & Hold Down Ring



Product Specifications:
Angled Spray Valve w/ Brush

Drawn DHL	Checked KJG	Approved JHB
Scale: 1:4		Date: 04/24/09