



T&S BRASS AND BRONZE WORKS, INC.

2 Saddleback Cove / P.O. Box 1088
Travelers Rest, SC 29690

Model No.

P3-3WESV00MZZUY

Item No.

Travelers Rest, SC: 800-476-4103 • Simi Valley, CA: 800-423-0150 • Fax: 864-834-3518 • www.tsbrass.com

This Space for Architect/Engineer Approval

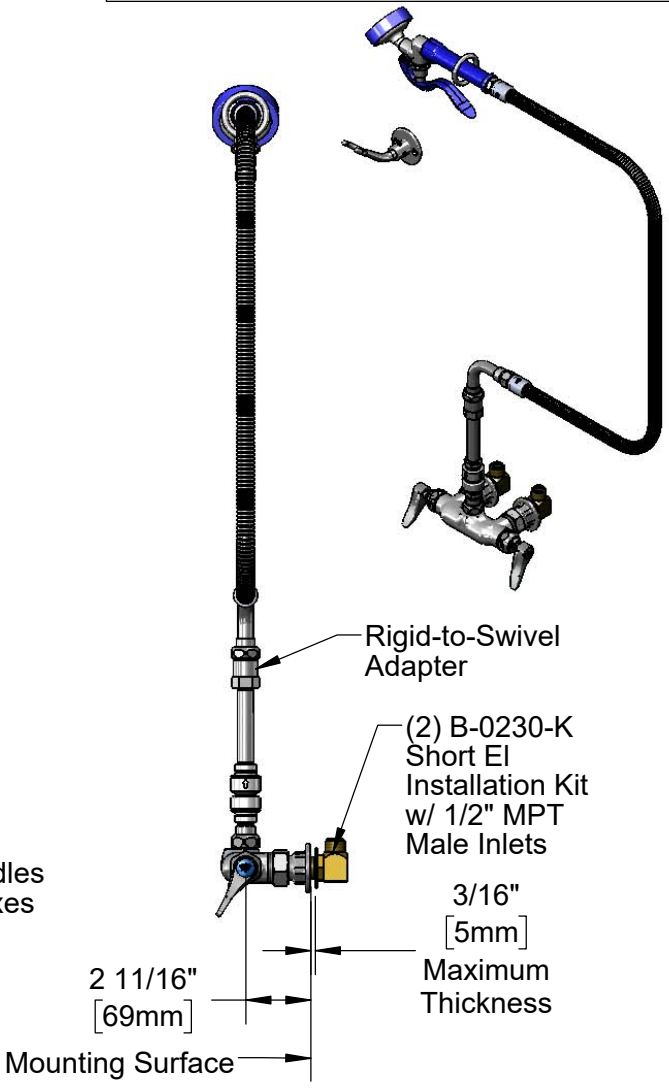
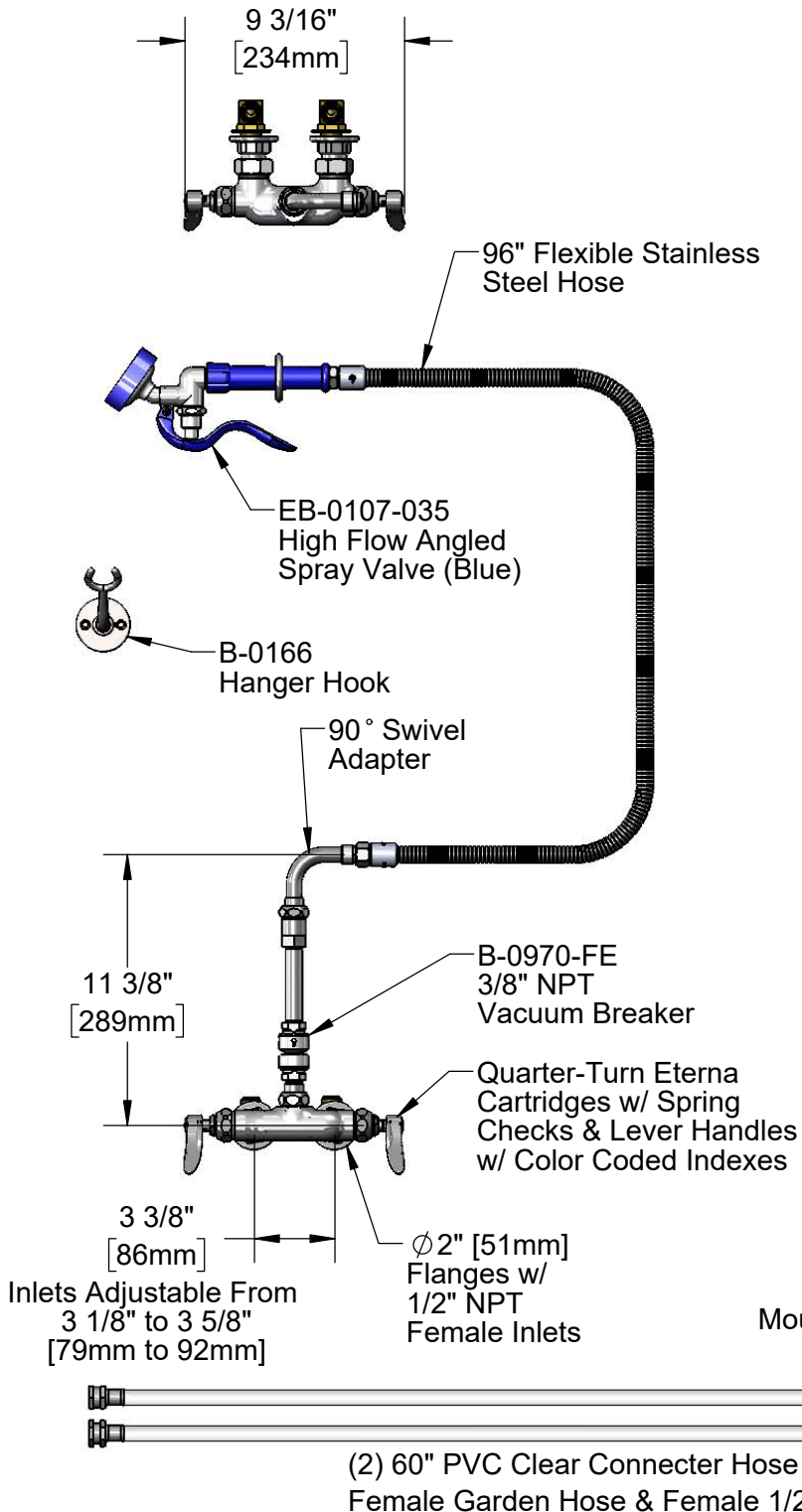
Job Name _____ Date _____

Model Specified _____ Quantity _____

Customer/Wholesaler _____

Contractor _____

Architect/Engineer _____



Product Specifications:

Wall Mount Mixing Faucet, Quarter-Turn Eterna Cartridges w/ Spring Checks, Lever Handles, Vacuum Breaker, 96" Stainless Steel Hose, High Flow Angled Spray Valve (Blue), Hanger Hook & 1/2" NPT Female Inlets, Installation Kits & (2) 60" PVC Clear Connection Hoses

Product Compliance:

ASME A112.18.1 / CSA B125.1
NSF 61 - Section 9
EPA Act 2005 Non-Compliant (PRSV)
CSA B64.8 (VB)



T&S BRASS AND BRONZE WORKS, INC.

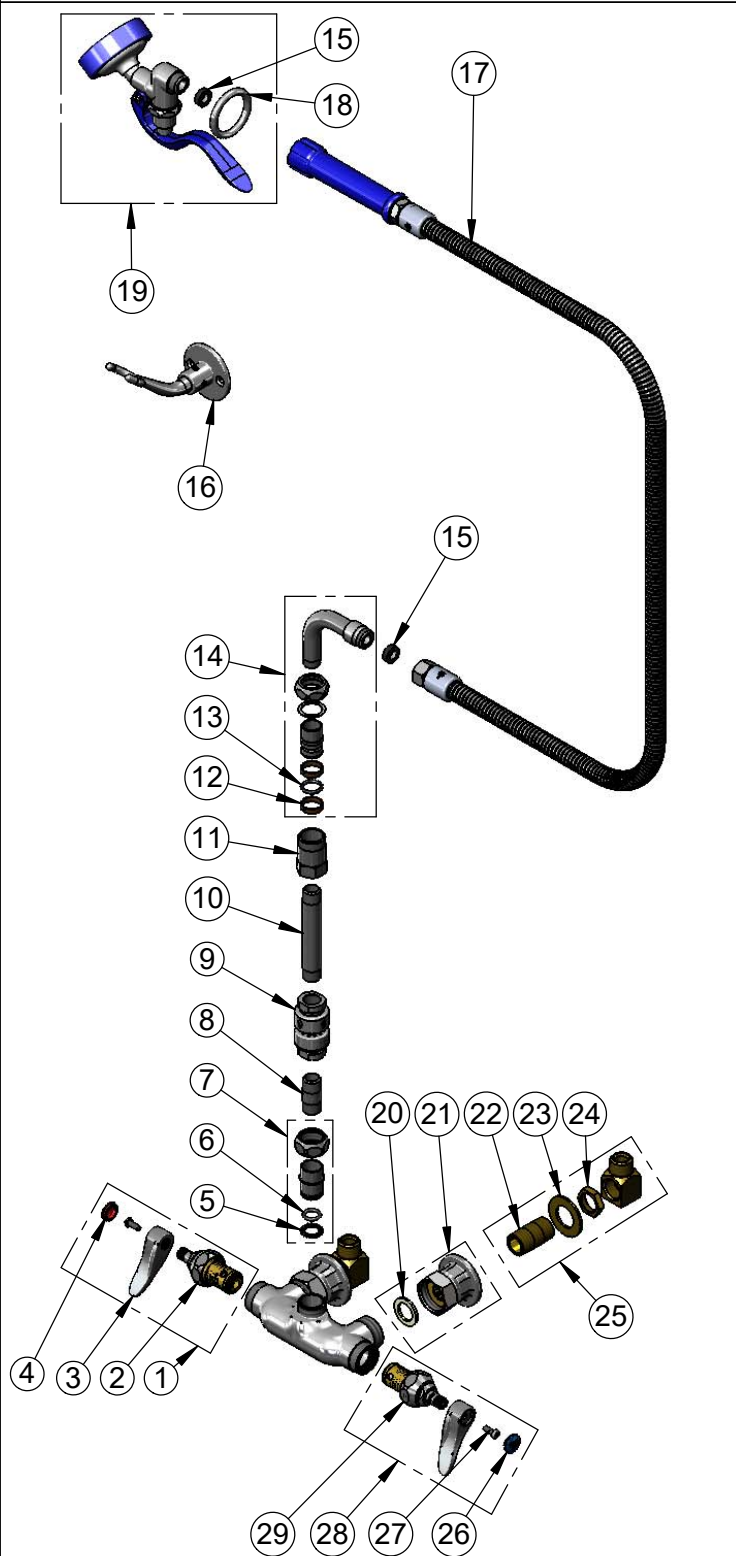
2 Saddleback Cove / P.O. Box 1088
Travelers Rest, SC 29690

Model No.

P3-3WESV00MZZUY

Item No.

Travelers Rest, SC: 800-476-4103 • Simi Valley, CA: 800-423-0150 • Fax: 864-834-3518 • www.tsbrass.com



ITEM NO.	SALES NO.	DESCRIPTION
1	002712-40NS	Quarter-Turn Eterna Cartridge w/ Spring Check, Handle, Red Index & Screw, RTC
2	012443-40NS	Quarter-Turn Eterna Cartridge w/ Spring Check, RTC
3	001638-45NS	Lever Handle (New Style)
4	001193-19NS	Red Button Index, Press-in
5	014200-45	Star Washer, Anti-Rotation
6	001065-45	O-Ring
7	EZ-K	EasyInstall Kit
8	002341-40	Nipple, 3/8" NPT x 1-1/2"
9	B-0970-FE	3/8" NPT Vacuum Breaker
10	000360-40	Nipple, 3/8" NPT x 4"
11	054X	Swivel Body
12	011429-45	Swivel Sleeves (2)
13	001074-45	O-Ring
14	034A	90° Swivel Body
15	010476-45	#27 Washer
16	B-0166	Hanger Hook w/ Mounting Screws
17	EB-0096-H	96" Flexible Stainless Steel Hose w/ Blue Grip Handle
18	000907-45	Spray Valve Hold Down Ring
19	EB-0107-35	High Flow Angled Spray Valve (Blue)
20	001019-45	Coupling Nut Washer
21	00AA	1/2" NPT Female Eccentric Flange
22	013357-20	1/2" NPT x 1-5/8" Lg. Close Nipple
23	000999-45	Brass Lock Washer
24	002954-45	Shank Lock Nut
25	B-0230-K	Short EI Installation Kit
26	018506-19NS	Blue Button Index, Press-in
27	000925-45	Lab Handle Screw
28	002711-40NS	Quarter-Turn Eterna Cartridge w/ Spring Check, Handle, Blue Index & Screw, LTC
29	012442-40NS	Quarter-Turn Eterna Cartridge w/ Spring Check, LTC

Product Specifications:
 Wall Mount Mixing Faucet, Quarter-Turn Eterna Cartridges w/ Spring Checks, Lever Handles, Vacuum Breaker, 96" Stainless Steel Hose, High Flow Angled Spray Valve (Blue), Hanger Hook & 1/2" NPT Female Inlets, Installation Kits & (2) 60" PVC Clear Connection Hoses

Product Compliance:
 ASME A112.18.1 / CSA B125.1
 NSF 61 - Section 9
 EPA Act 2005 Non-Compliant (PRSV)
 CSA B64.8 (VB)