



T&S BRASS AND BRONZE WORKS, INC.

2 Saddleback Cove / P.O. Box 1088
Travelers Rest, SC 29690

Model No.

B-2459

Item No.

Travelers Rest, SC: 800-476-4103 • Simi Valley, CA: 800-423-0150 • Fax: 864-834-3518 • www.tsbrass.com

This Space for Architect/Engineer Approval

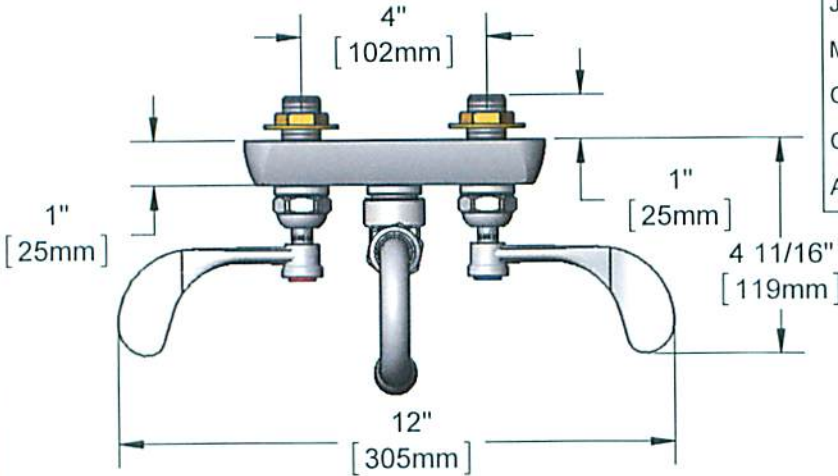
Job Name _____ Date _____

Model Specified _____ Quantity _____

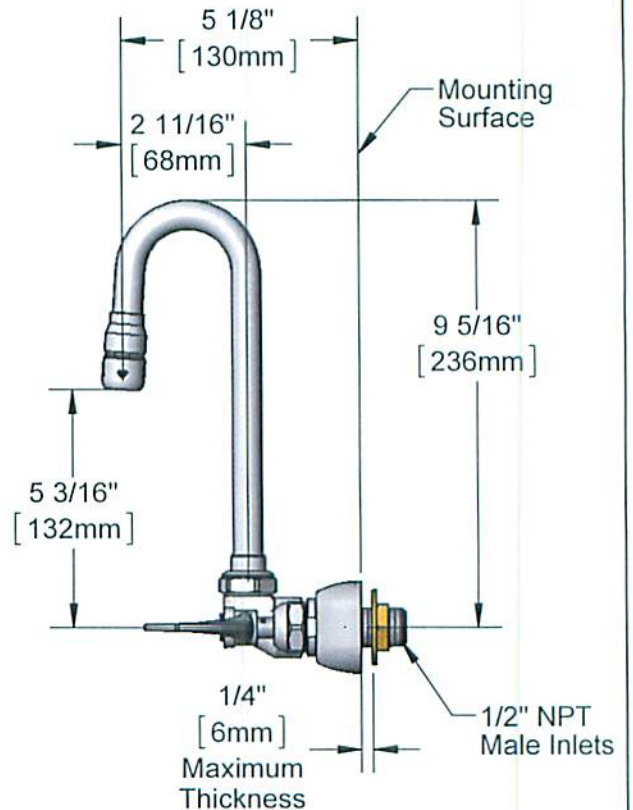
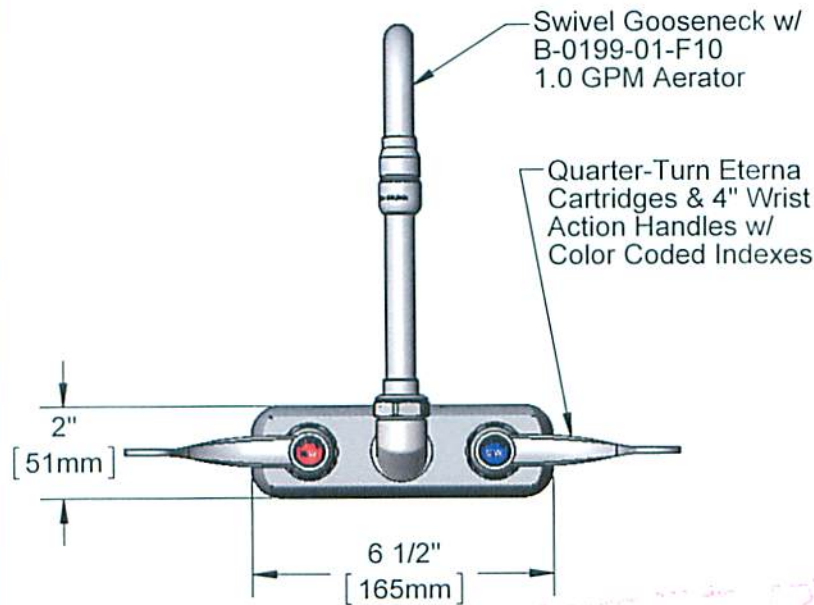
Customer/Wholesaler _____

Contractor _____

Architect/Engineer _____



ADA Compliant



Rough-In Requirement:
(2) Ø 1" [25mm] Mounting Holes

Product Specifications:
4" Wall Mount Workboard Faucet w/ Quarter-Turn Eterna Cartridges, 4" Wrist Action Handles, Swivel Gooseneck w/ 1.0 GPM aerator & 1/2" NPT Male Inlets

Product Compliance:
ASME A112.18.1 / CSA B125.1
NSF 61 - Section 9
NSF 372 (Low Lead Content)
ANSI A117.1 (ADA)



T&S BRASS AND BRONZE WORKS, INC.

2 Saddleback Cove / P.O. Box 1088
Travelers Rest, SC 29690

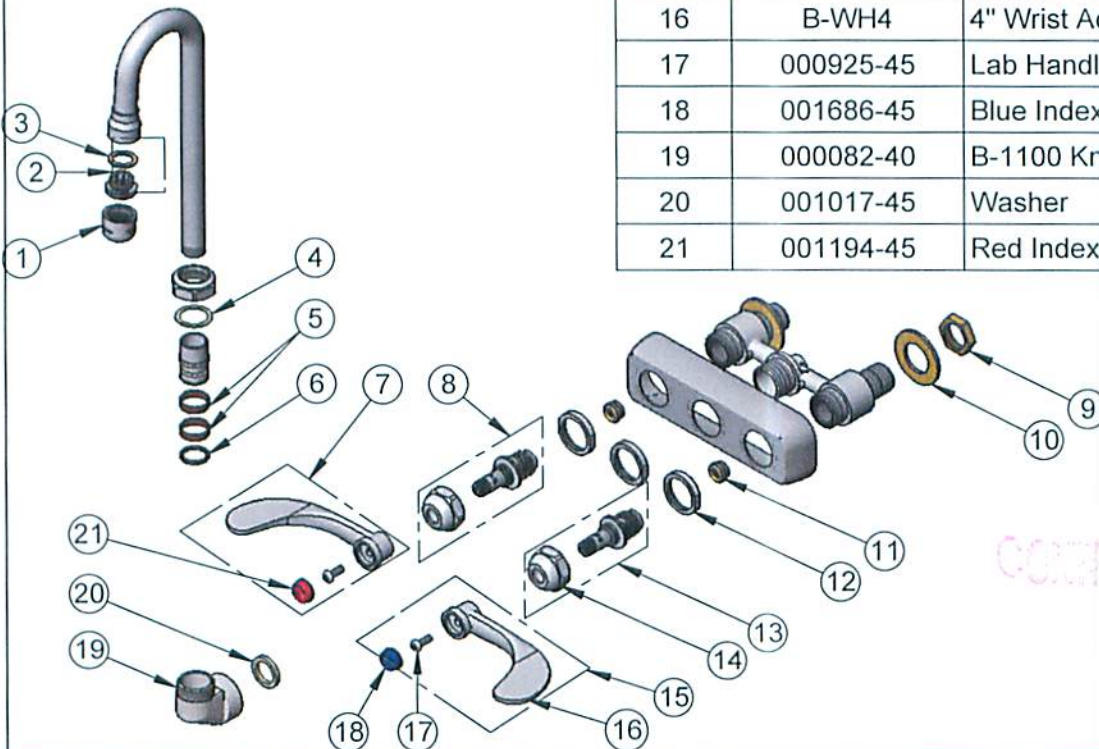
Model No.

B-2459

Item No.

Travelers Rest, SC: 800-476-4103 • Simi Valley, CA: 800-423-0150 • Fax: 864-834-3518 • www.tsbrass.com

ITEM NO.	SALES NO.	DESCRIPTION
1	B-0199-01-F10	1.0 GPM Aerator, Female
2	044A	3/8" NPSM x Aerator Adapter
3	001043-45	Washer
4	009538-45	Swivel Washer
5	011429-45	Swivel Sleeves (2)
6	001074-45	O-Ring
7	B-WH4H	4" Wrist Action Handle, Screw, & Hot Index
8	009424-40QT	Quarter-Turn Spindle, LTC (Teflon)
9	002954-45	Shank Lock Nut
10	000999-45	Brass Lock Washer
11	000763-20	Seat
12	000712-25	Escutcheon Lock Nut
13	009423-40QT	Quarter-Turn Spindle, RTC (Teflon)
14	009749-25	Bonnet Nut
15	B-WH4C	4" Wrist Action Handle, Screw, & Cold Index
16	B-WH4	4" Wrist Action Handle
17	000925-45	Lab Handle Screw
18	001686-45	Blue Index - CW
19	000082-40	B-1100 Knob
20	001017-45	Washer
21	001194-45	Red Index - HW



Product Specifications:

4" Wall Mount Workboard Faucet w/ Quarter-Turn Eterna Cartridges, 4" Wrist Action Handles, Swivel Gooseneck w/ 1.0 GPM aerator & 1/2" NPT Male Inlets

Product Compliance:

ASME A112.18.1 / CSA B125.1
NSF 61 - Section 9
NSF 372 (Low Lead Content)
ANSI A117.1 (ADA)