



T&S BRASS AND BRONZE WORKS, INC.

2 Saddleback Cove / P.O. Box 1088
Travelers Rest, SC 29690

Model No.

B-2291

Item No.

Travelers Rest, SC: 800-476-4103 • Simi Valley, CA: 800-423-0150 • Fax: 864-834-3518 • www.tsbrass.com

This Space for Architect/Engineer Approval

Job Name _____ Date _____

Model Specified _____ Quantity _____

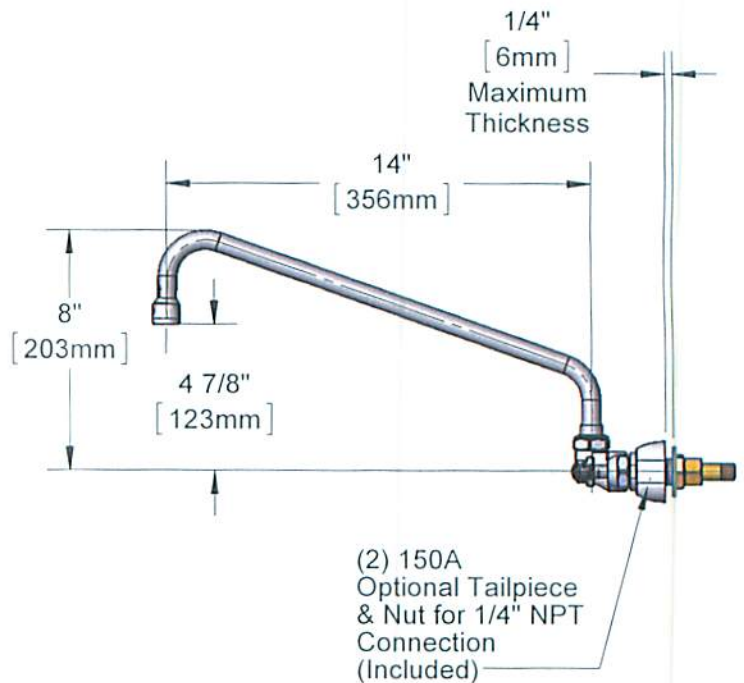
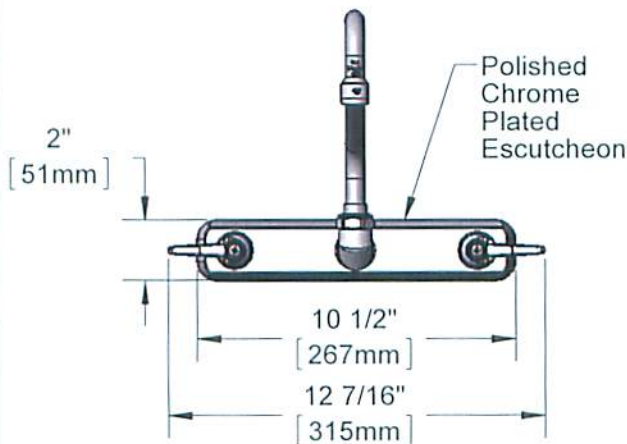
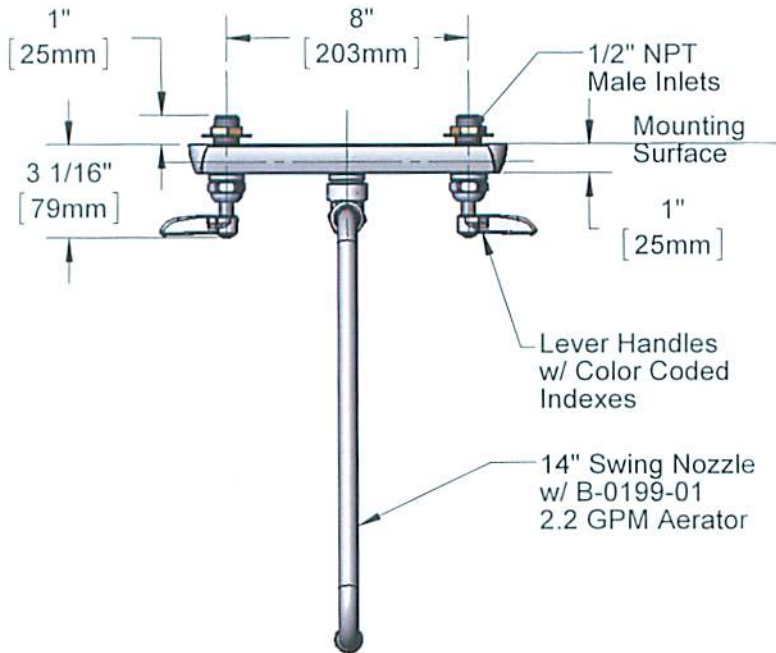
Customer/Wholesaler _____

Contractor _____

Architect/Engineer _____



ADA Compliant



Rough-In Requirement:
(2) \varnothing 1" [25mm] Mounting Holes

Product Specifications:
8" Wall Mount Workboard Faucet, Lever Handles, 14" Swing Nozzle
w/ 2.2 GPM Aerator & 1/2" NPT Male Inlets

CONTROLLED COPY

Product Compliance:
ASME A112.18.1 / CSA B125.1
NSF 61 - Section 9
NSF 372 (Low Lead Content)
ANSI A117.1 (ADA)



T&S BRASS AND BRONZE WORKS, INC.

2 Saddleback Cove / P.O. Box 1088
Travelers Rest, SC 29690

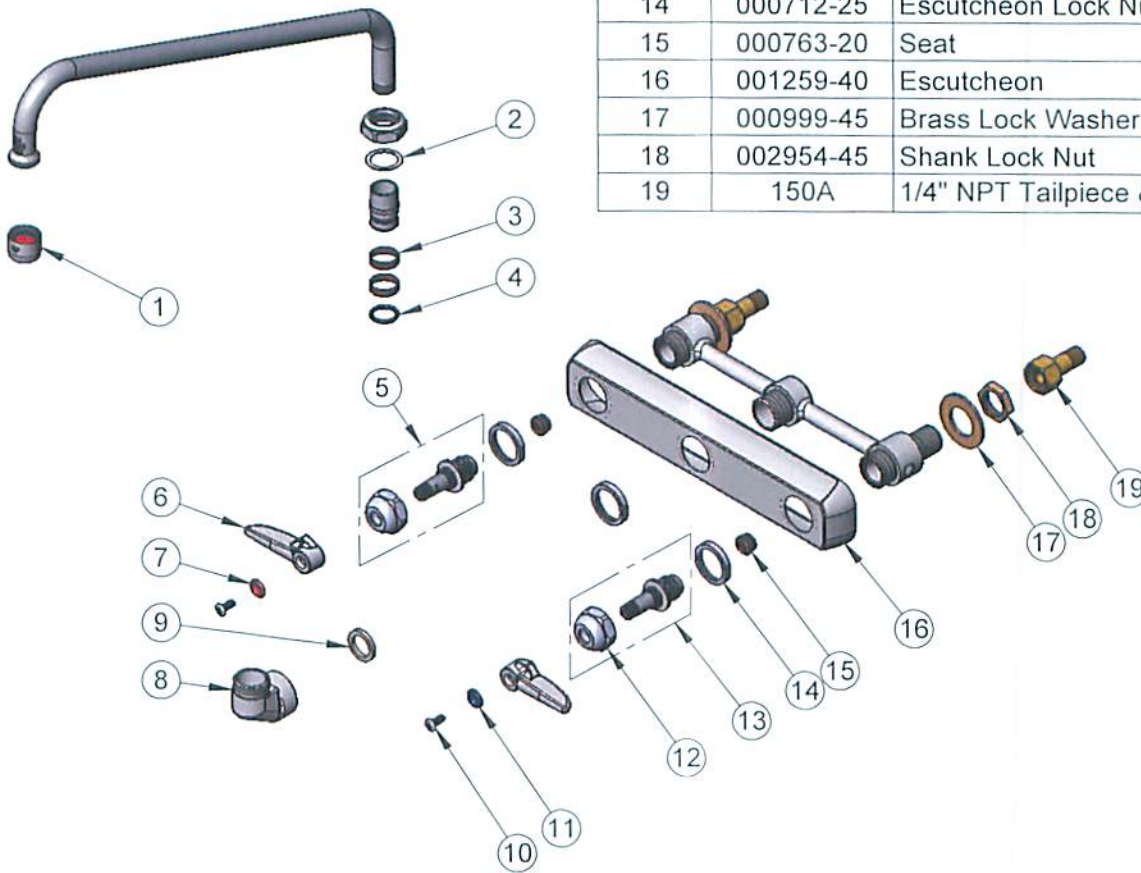
Model No.

B-2291

Item No.

Travelers Rest, SC: 800-476-4103 • Simi Valley, CA: 800-423-0150 • Fax: 864-834-3518 • www.tsbrass.com

ITEM NO.	SALES NO.	DESCRIPTION
1	B-0199-01	2.2 GPM Aerator, 55/64"-27 UN Female
2	009538-45	Swivel Washer
3	011429-45	Swivel Sleeves (2)
4	001074-45	O-Ring
5	009754-25	B-1100 Spindle, LTC
6	001638-45	Lever Handle
7	001661-45	Red Index-HW
8	000082-40	B-1100 Knob
9	001017-45	Washer
10	000922-45	Lever Handle Screw
11	001660-45	Blue Index-CW
12	009749-25	Bonnet Nut
13	009753-25	B-1100 Spindle, RTC
14	000712-25	Escutcheon Lock Nut
15	000763-20	Seat
16	001259-40	Escutcheon
17	000999-45	Brass Lock Washer
18	002954-45	Shank Lock Nut
19	150A	1/4" NPT Tailpiece & Nut



Product Specifications:

8" Wall Mount Workboard Faucet, Lever Handles, 14" Swing Nozzle
w/ 2.2 GPM Aerator & 1/2" NPT Male Inlets

Product Compliance:

ASME A112.18.1 / CSA B125.1
NSF 61 - Section 9
NSF 372 (Low Lead Content)
ANSI A117.1 (ADA)

CONTROLLED COPY