



T&S BRASS AND BRONZE WORKS, INC.
 2 SADDLEBACK COVE / P.O. BOX 1088 / TRAVELERS REST, SC 29690
 PHONE 800-476-4103 - FAX 864- 834-3518

Model No.

B-1172-07

RELIABILITY
 BUILT IN

Job Name:

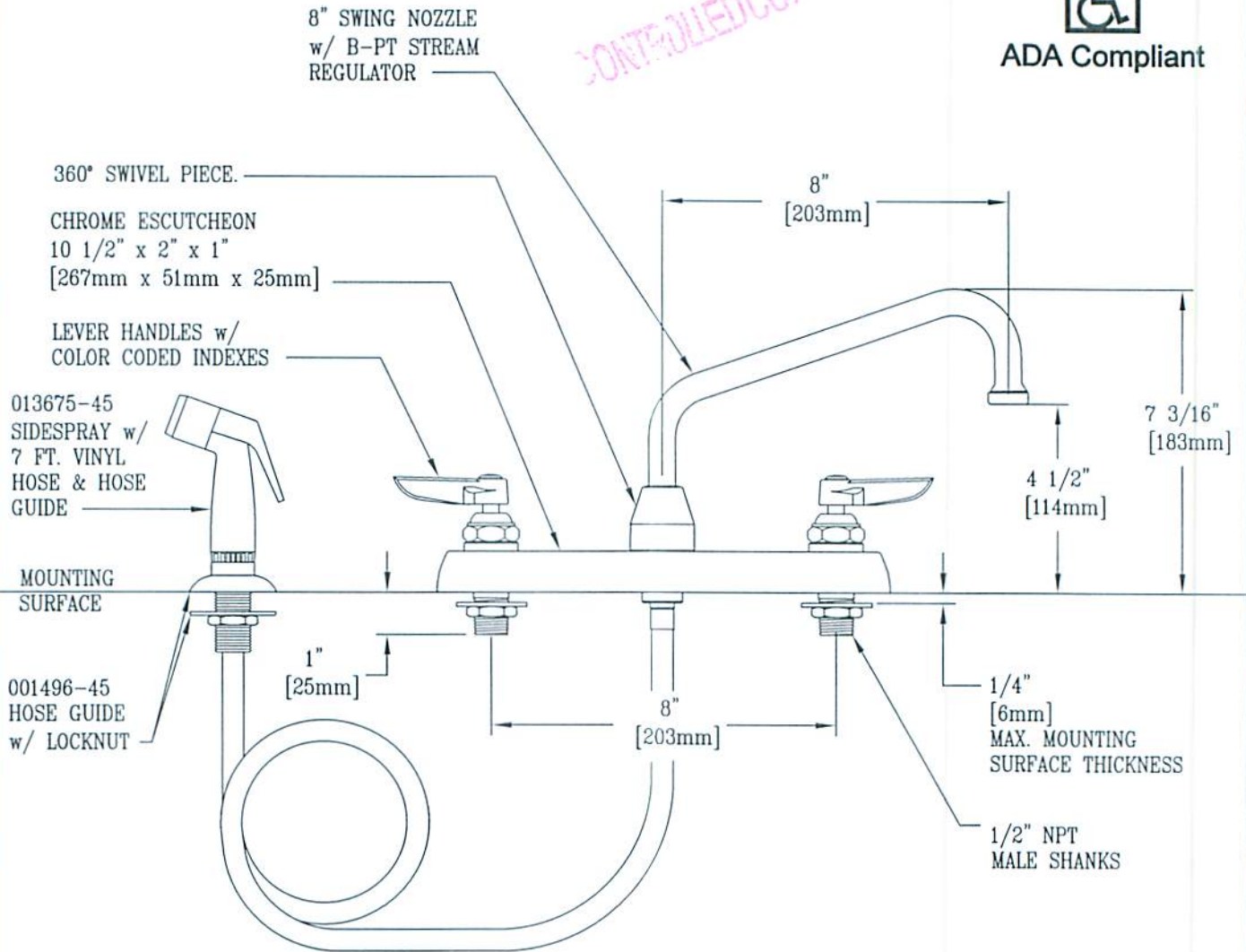
Architect/Engineer Approval:

Notes:



ADA Compliant

CONTROLLED COPY



NOTE: ROUGH-IN REQUIREMENT
 (3) $\phi 1"$ [25mm] MOUNTING HOLES

150A
 TAILPIECE AND NUT FURNISHED
 FOR 1/4" NPT CONNECTION



Product Description:
 8" c/c WORKBOARD FAUCET w/ LEVER HANDLES,
 8" SWING NOZZLE, B-PT STREAM REGULATOR,
 7' SIDESPRAY HOSE & 1/2" NPT MALE SHANKS

Drawn:

KJG

Checked

DHL

Scale:

1 : 4

Approved

JHB

Date:

02/20/12