



T&S BRASS AND BRONZE WORKS, INC.

2 Saddleback Cove / P.O. Box 1088
Travelers Rest, SC 29690

Model No.

B-1171

Item No.

Travelers Rest, SC: 800-476-4103 • Simi Valley, CA: 800-423-0150 • Fax: 864-834-3518 • www.tsbrass.com



ADA Compliant

This Space for Architect/Engineer Approval

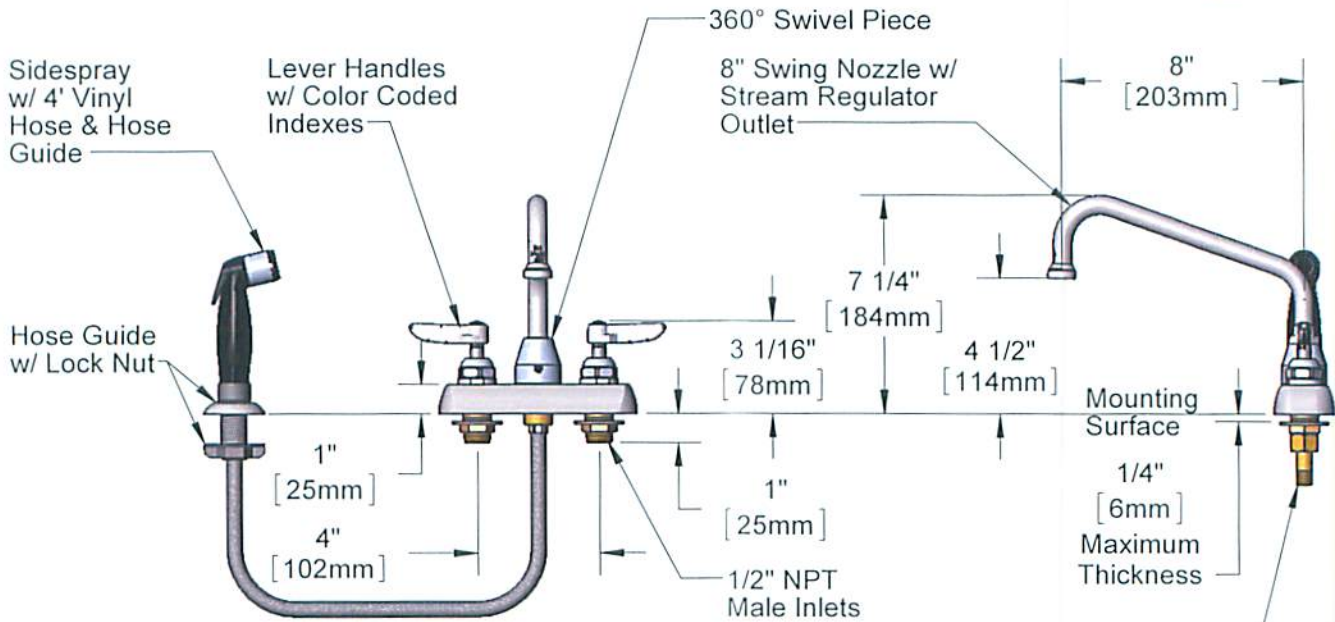
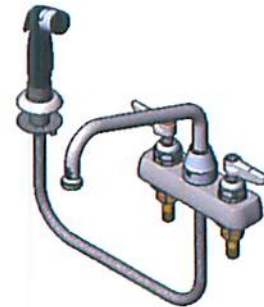
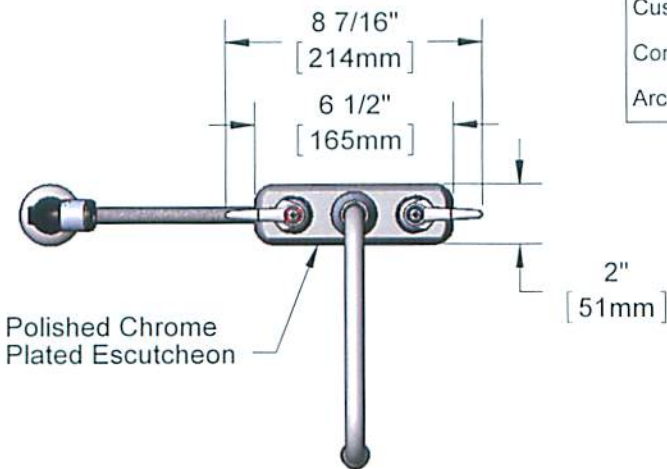
Job Name _____ Date _____

Model Specified _____ Quantity _____

Customer/Wholesaler _____

Contractor _____

Architect/Engineer _____



(2) 150A
Optional Tailpiece & Nut
For 1/4" NPT Connection
(Included)

Rough-In Requirement:
Faucet: (3) Ø 1" [25mm] Mounting Holes
Sidespray: (1) Ø 1" [25mm] Mounting Hole

Product Specifications:
4" Deck Mount Workboard Mixing Faucet, Lever Handles, 8" Swing Nozzle,
4' Vinyl Hose Sidespray w/ Hose Guide & 1/2" NPT Male Inlets

Product Compliance:
ASME A112.18.1 / CSA B125.1
NSF 61 - Section 9
NSF 372 (Low Lead Content)
ANSI A117.1 (ADA)

CONTROLLED COPY



T&S BRASS AND BRONZE WORKS, INC.

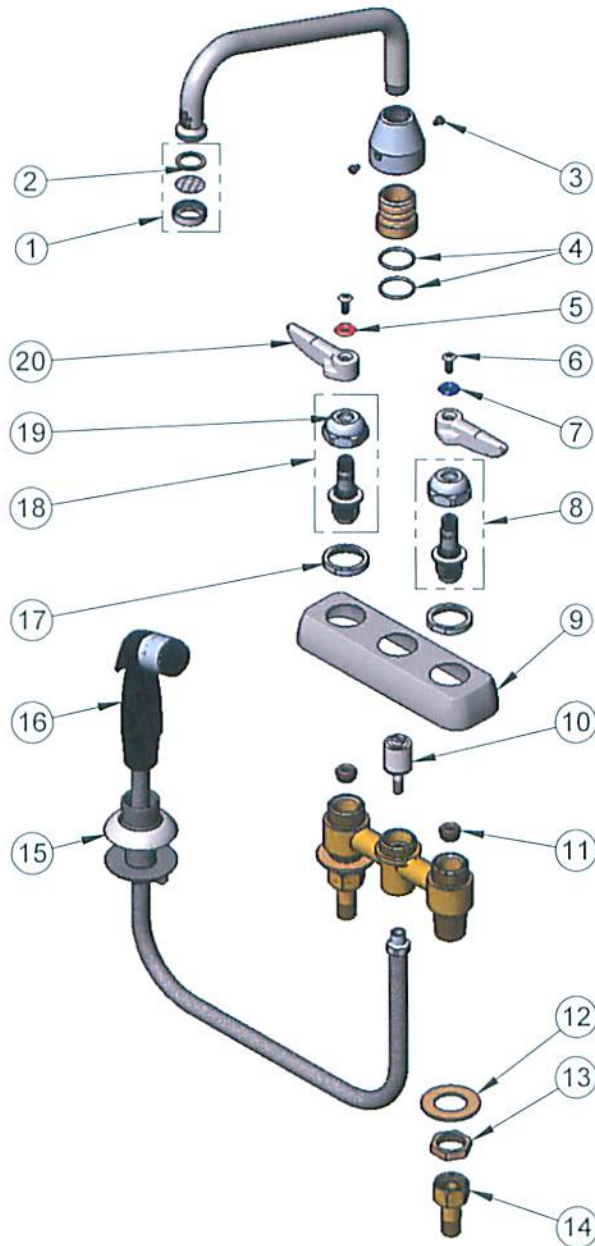
2 Saddleback Cove / P.O. Box 1088
Travelers Rest, SC 29690

Model No.

B-1171

Item No.

Travelers Rest, SC: 800-476-4103 • Simi Valley, CA: 800-423-0150 • Fax: 864-834-3518 • www.tsbrass.com



ITEM NO.	SALES NO.	DESCRIPTION
1	B-PT	Stream Regulator Outlet
2	001048-45	Nozzle Tip Washer
3	001486-45	Diverter Cover Screw
4	001069-45	O-ring
5	001661-45	Red Index-HW
6	000922-45	Lever Handle Screw
7	001660-45	Blue Index-CW
8	009754-25	B-1100 Spindle, LTC
9	001258-40	Escutcheon
10	002338-45	Valve Diverter Piston
11	000763-20	Seat
12	000999-45	Brass Lock Washer
13	002954-45	Shank Lock Nut
14	150A	1/4" NPT Tailpiece & Nut
15	001496-45	Hose Guide
16	001495-45	Sidespray w/ 4' Vinyl Hose & Hose Guide
17	000712-25	Escutcheon Lock Nut
18	009753-25	B-1100 Spindle, RTC
19	009749-25	Bonnet Nut
20	001638-45	Lever Handle

Product Specifications:

4" Deck Mount Workboard Mixing Faucet, Lever Handles, 8" Swing Nozzle, 4' Vinyl Hose Sidespray w/ Hose Guide & 1/2" NPT Male Inlets

Product Compliance:

ASME A112.18.1 / CSA B125.1
NSF 61 - Section 9
NSF 372 (Low Lead Content)
ANSI A117.1 (ADA)

CONTROLLED COPY