



# T&S BRASS AND BRONZE WORKS, INC.

2 Saddleback Cove / P.O. Box 1088  
Travelers Rest, SC 29690

Model No.

**B-1148**

Item No.

Travelers Rest, SC: 800-476-4103 • Simi Valley, CA: 800-423-0150 • Fax: 864-834-3518 • www.tsbrass.com

This Space for Architect/Engineer Approval

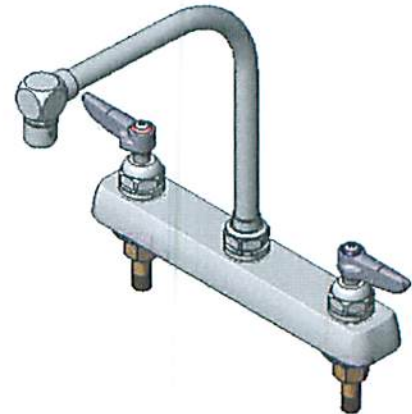
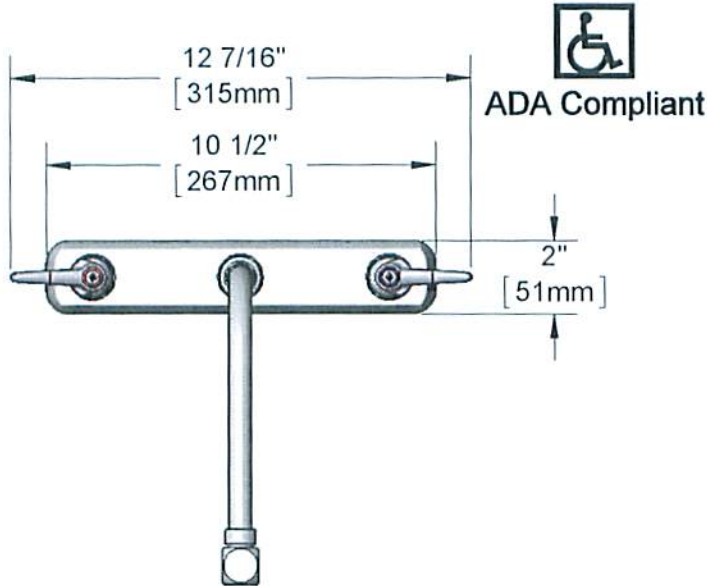
Job Name \_\_\_\_\_ Date \_\_\_\_\_

Model Specified \_\_\_\_\_ Quantity \_\_\_\_\_

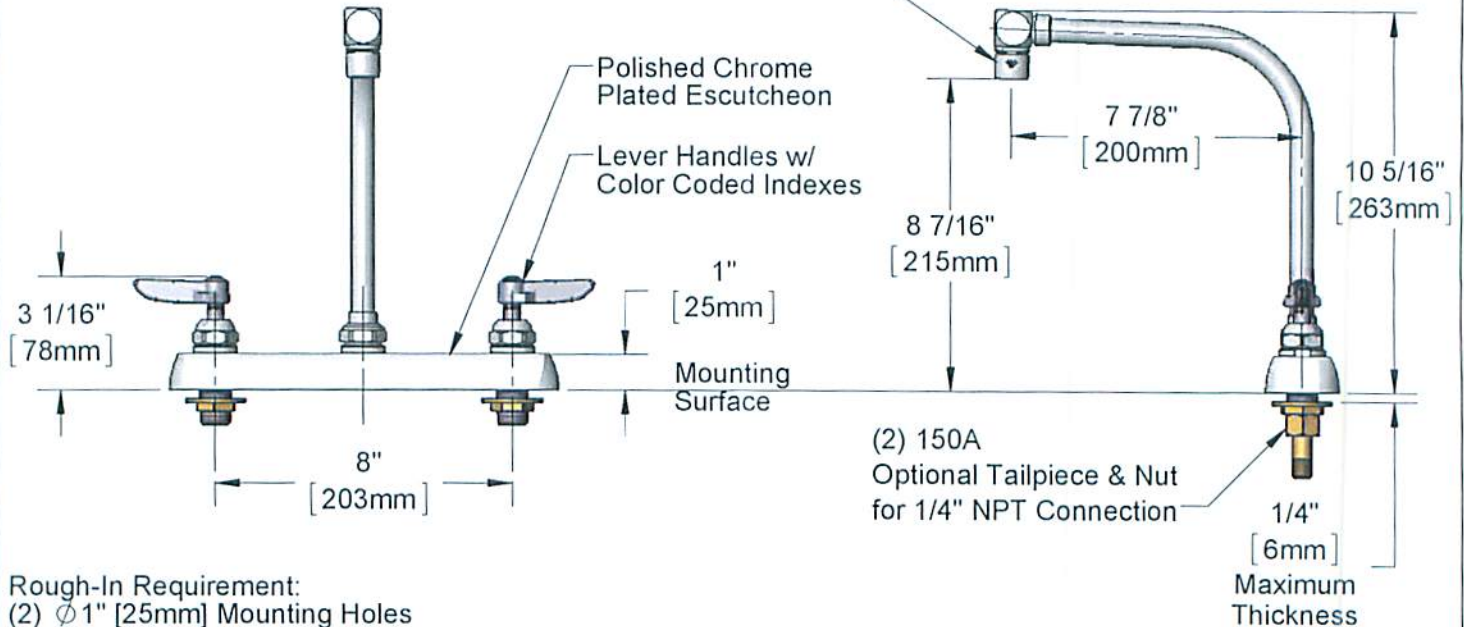
Customer/Wholesaler \_\_\_\_\_

Contractor \_\_\_\_\_

Architect/Engineer \_\_\_\_\_



B-2403  
High Rise Swing Spout  
w/ 2.2 GPM Aerator



Rough-In Requirement:  
(2)  $\phi$  1" [25mm] Mounting Holes

Product Specifications:  
8" Deck Mount Workboard Faucet, Lever Handles, 7 7/8" Swing Nozzle w/  
2.2 GPM Aerator and 1/2" NPT Male Inlets.

Product Compliance:  
ASME A112.18.1 / CSA B125.1  
NSF 61 - Section 9  
NSF 372 (Low Lead Content)  
ANSI A117.1 (ADA)

CONTROLLED COPY



# T&S BRASS AND BRONZE WORKS, INC.

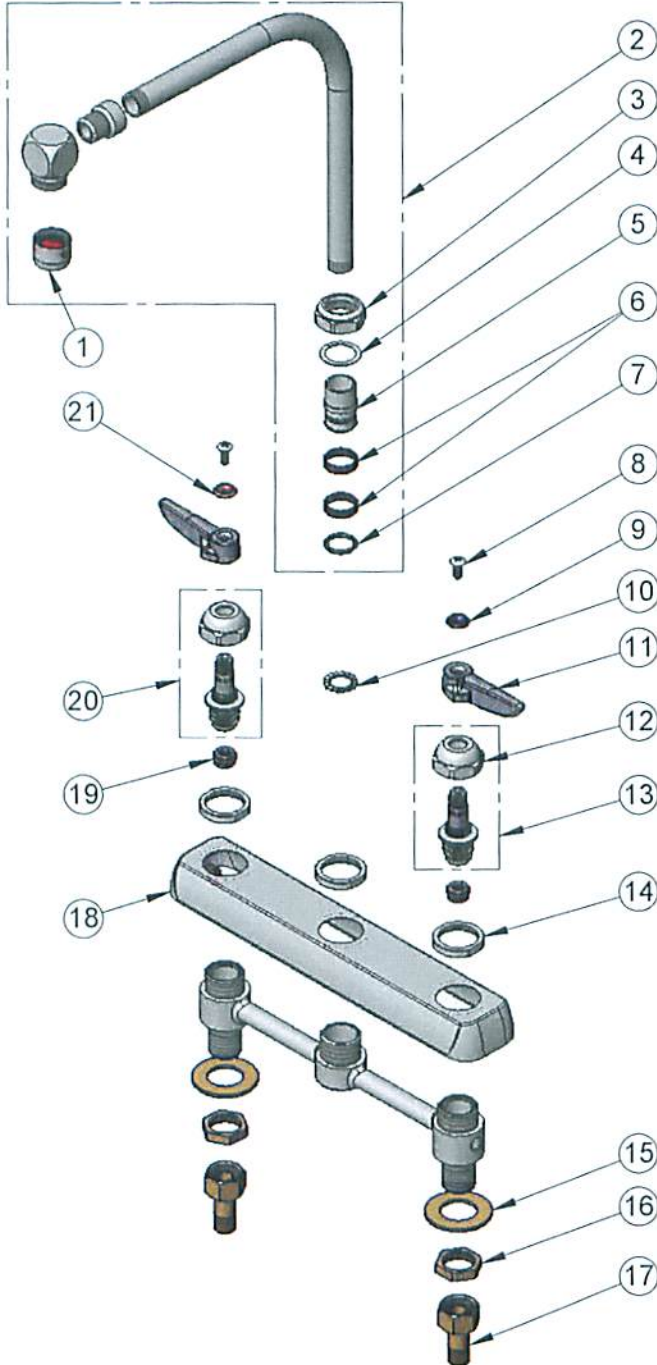
2 Saddleback Cove / P.O. Box 1088  
Travelers Rest, SC 29690

Model No.

**B-1148**

Item No.

Travelers Rest, SC: 800-476-4103 • Simi Valley, CA: 800-423-0150 • Fax: 864-834-3518 • www.tsbrass.com



ITEM NO.	SALES NO.	DESCRIPTION
1	B-0199-01	2.2 GPM Aerator, 55/64"-27 UN Female
2	B-2403	High Rise Swing Spout w/ 2.2 GPM Aerator
3	009536-25	Swivel Nut
4	009538-45	Swivel Washer
5	011430-25	Swivel Piece
6	011429-45	Swivel Sleeves (2)
7	001074-45	O-Ring
8	000922-45	Lever Handle Screw
9	001660-45	Blue Index-CW
10	014200-45	Star Washer, Anti-Rotation
11	001638-45	Lever Handle
12	009749-25	Bonnet Nut
13	009754-25	B-1100 Spindle, LTC
14	000712-25	Escutcheon Lock Nut
15	000999-45	Brass Lock Washer
16	002954-45	Shank Lock Nut
17	150A	1/4" NPT Tailpiece and Nut
18	001259-40	Escutcheon
19	000763-20	Seat
20	009753-25	B-1100 Spindle, RTC
21	001661-45	Red Index-HW

**Product Specifications:**

8" Deck Mount Workboard Faucet, Lever Handles, 7 7/8" Swing Nozzle w/ 2.2 GPM Aerator and 1/2" NPT Male Inlets.

**Product Compliance:**

ASME A112.18.1 / CSA B125.1  
NSF 61 - Section 9  
NSF 372 (Low Lead Content)  
ANSI A117.1 (ADA)

**CONTROLLED COPY**