



T&S BRASS AND BRONZE WORKS, INC.

2 Saddleback Cove / P.O. Box 1088
Travelers Rest, SC 29690

Model No.

B-1146-02A-WH4

Item No.

Travelers Rest, SC: 800-476-4103 • Simi Valley, CA: 800-423-0150 • Fax: 864-834-3518 • www.tsbrass.com



ADA Compliant

This Space for Architect/Engineer Approval

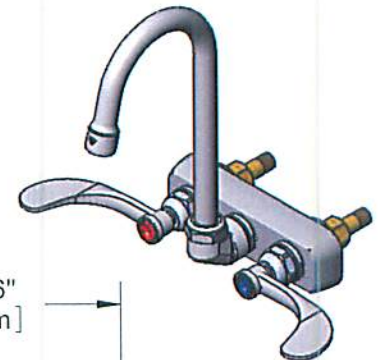
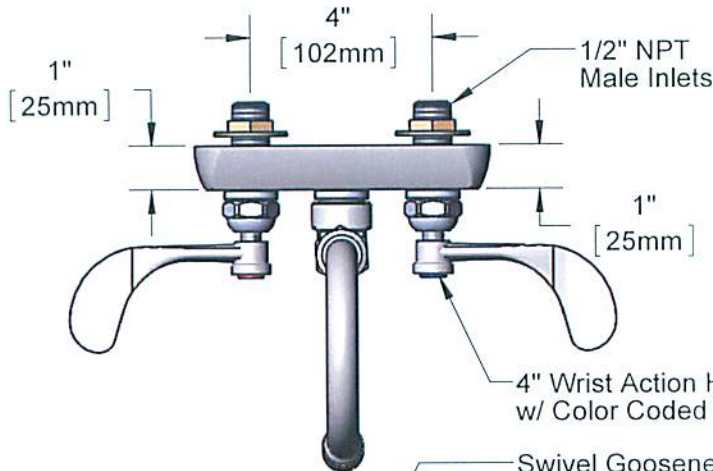
Job Name _____ Date _____

Model Specified _____ Quantity _____

Customer/Wholesaler _____

Contractor _____

Architect/Engineer _____



Swivel Gooseneck w/ B-0199-01 2.2 GPM Aerator

6 13/16" [173mm]

9 9/16" [242mm]

5 7/8" [150mm]

1/4" [6mm] Maximum Thickness

Polished Chrome Plated Escutcheon

2" [51mm]

6 1/2" [165mm]

12" [305mm]

4 3/8" [111mm]

(2) 150A Optional Tailpiece and Nut for 1/4" NPT Connection (Included)

Mounting Surface

Rough-In Requirement:
(2) ϕ 1" [25mm] Mounting Holes

Product Specifications:
4" Wall Mount Workboard Mixing Faucet w/ 4" Wrist Action Handles, Swivel Gooseneck w/ 2.2 GPM Aerator & 1/2" NPT Male Inlets

Product Compliance:
ASME A112.18.1 / CSA B125.1
NSF 61 - Section 9
NSF 372 (Low Lead Content)
ANSI A117.1 (ADA)

CONTROLLED COPY



T&S BRASS AND BRONZE WORKS, INC.

2 Saddleback Cove / P.O. Box 1088
Travelers Rest, SC 29690

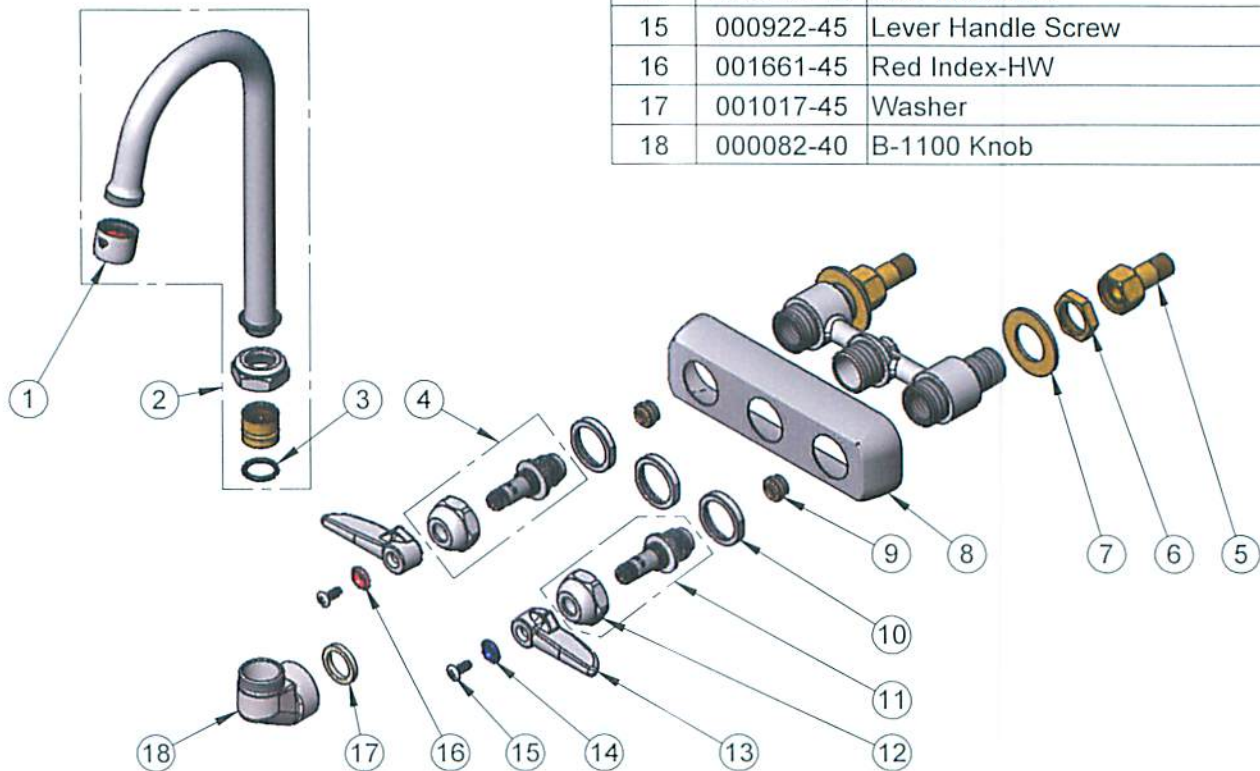
Model No.

B-1146-02A-WH4

Item No.

Travelers Rest, SC: 800-476-4103 • Simi Valley, CA: 800-423-0150 • Fax: 864-834-3518 • www.tsbrass.com

ITEM NO.	SALES NO.	DESCRIPTION
1	B-0199-01	2.2 GPM Aerator, 55/64-27 UN Female
2	017907-40	Swivel Gooseneck
3	001074-45	O-Ring
4	009754-25	Spindle, LTC
5	150A	1/4" NPT Tailpiece & Nut
6	002954-45	Shank Lock Nut
7	000999-45	Brass Lock Washer
8	001258-40	Escutcheon
9	000763-20	Seat
10	000712-25	Escutcheon Lock Nut
11	009753-25	Spindle, RTC
12	009749-25	Bonnet Nut
13	001638-45	Lever Handle
14	001660-45	Blue Index-CW
15	000922-45	Lever Handle Screw
16	001661-45	Red Index-HW
17	001017-45	Washer
18	000082-40	B-1100 Knob



Product Specifications:

4" Wall Mount Workboard Mixing Faucet w/ 4" Wrist Action Handles, Swivel Gooseneck w/ 2.2 GPM Aerator & 1/2" NPT Male Inlets

Product Compliance:

ASME A112.18.1 / CSA B125.1
NSF 61 - Section 9
NSF 372 (Low Lead Content)
ANSI A117.1 (ADA)

CONTROLLED COPY