



# T&S BRASS AND BRONZE WORKS, INC.

2 Saddleback Cove / P.O. Box 1088  
Travelers Rest, SC 29690

Model No.

**B-1141**

Item No.

Travelers Rest, SC: 800-476-4103 • Simi Valley, CA: 800-423-0150 • Fax: 864-834-3518 • www.tsbrass.com



**ADA Compliant**

This Space for Architect/Engineer Approval

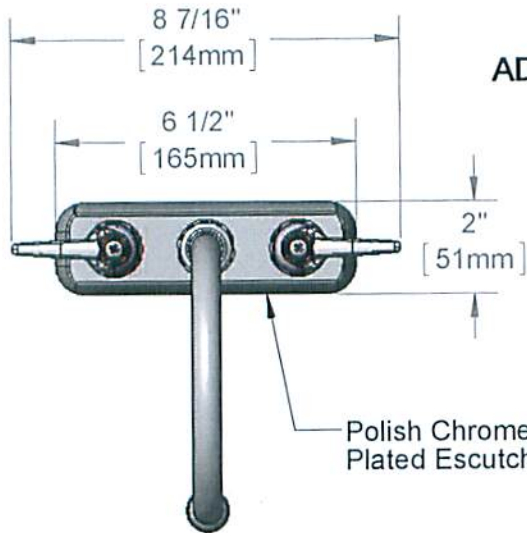
Job Name \_\_\_\_\_ Date \_\_\_\_\_

Model Specified \_\_\_\_\_ Quantity \_\_\_\_\_

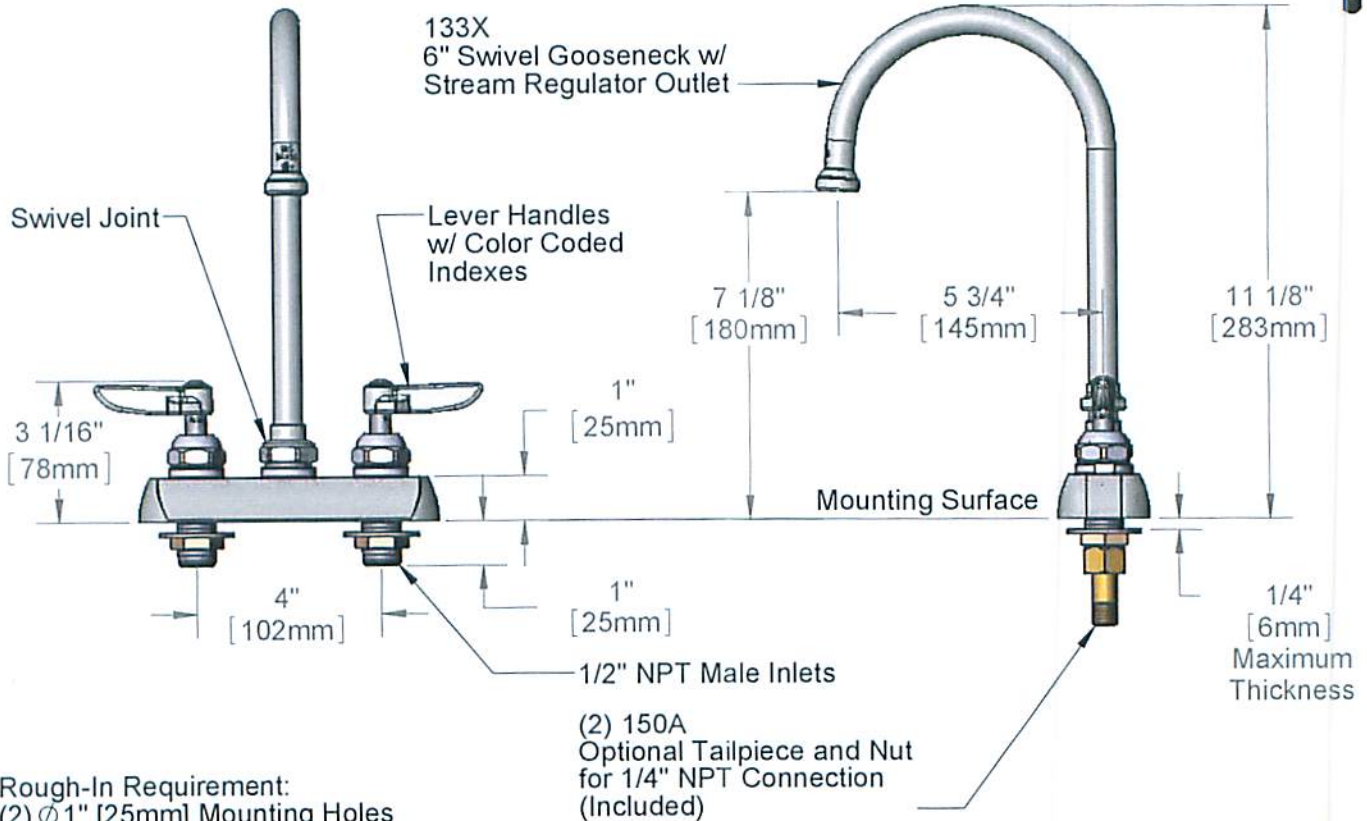
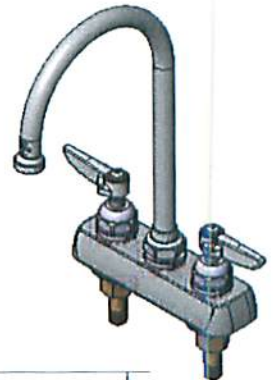
Customer/Wholesaler \_\_\_\_\_

Contractor \_\_\_\_\_

Architect/Engineer \_\_\_\_\_



*CONTROLLED COPY*



**Product Specifications:**

4" Deck Mount Workboard Mixing Faucet, Lever Handles, 6" Swivel Gooseneck & 1/2" NPT Male Inlets

**Product Compliance:**

ASME A112.18.1 / CSA B125.1  
NSF 61 - Section 9  
NSF 372 (Low Lead Content)  
ANSI A117.1 (ADA)



# T&S BRASS AND BRONZE WORKS, INC.

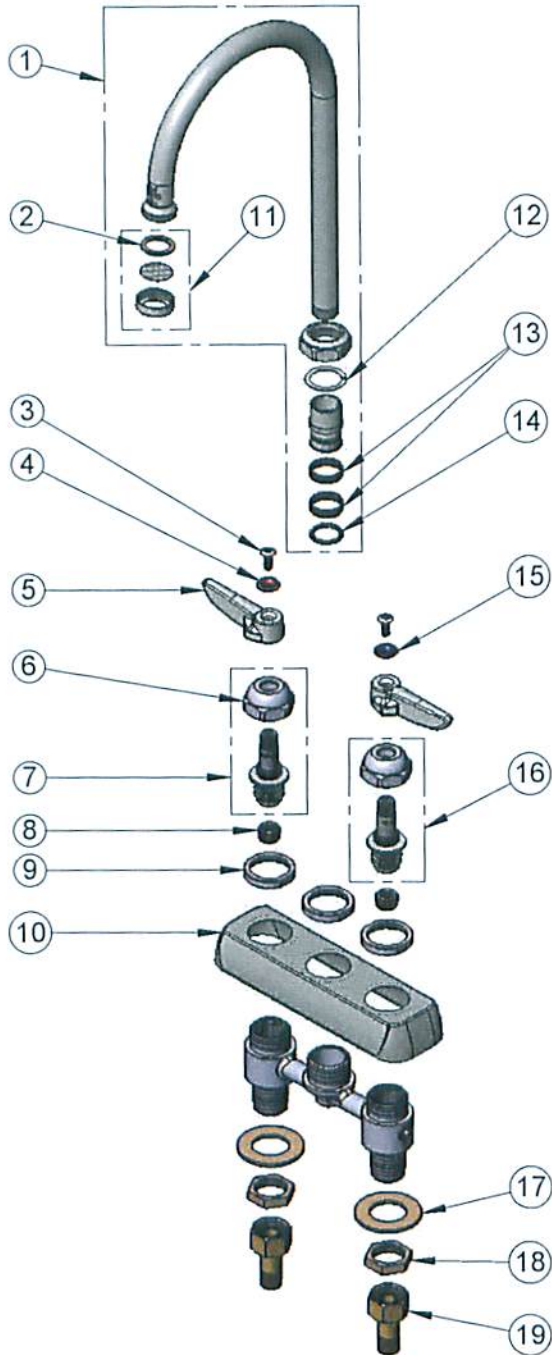
2 Saddleback Cove / P.O. Box 1088  
Travelers Rest, SC 29690

Model No.

**B-1141**

Item No.

Travelers Rest, SC: 800-476-4103 • Simi Valley, CA: 800-423-0150 • Fax: 864-834-3518 • www.tsbrass.com



ITEM NO.	SALES NO.	DESCRIPTION
1	133X	6" Swivel Gooseneck
2	001048-45	Nozzle Tip Washer
3	000922-45	Lever Handle Screw
4	001661-45	Red Index-HW
5	001638-45	Lever Handle
6	009749-25	Bonnet Nut
7	009753-25	B-1100 Spindle, RTC
8	000763-20	Seat
9	000712-25	Escutcheon Lock Nut
10	001258-40	Escutcheon
11	B-PT	Stream Regulator Outlet
12	009538-45	Swivel Washer
13	011429-45	Swivel Sleeves (2)
14	001074-45	O-Ring
15	001660-45	Blue Index-CW
16	009754-25	B-1100 Spindle, LTC
17	000999-45	Brass Lock Washer
18	002954-45	Shank Lock Nut
19	150A	1/4" NPT Tailpiece & Nut

**CONTROLLED COPY**

**Product Specifications:**

4" Deck Mount Workboard Mixing Faucet, Lever Handles, 6" Swivel Gooseneck & 1/2" NPT Male Inlets

**Product Compliance:**

ASME A112.18.1 / CSA B125.1  
NSF 61 - Section 9  
NSF 372 (Low Lead Content)  
ANSI A117.1 (ADA)