



# T&S BRASS AND BRONZE WORKS, INC.

2 Saddleback Cove / P.O. Box 1088  
Travelers Rest, SC 29690

Model No.

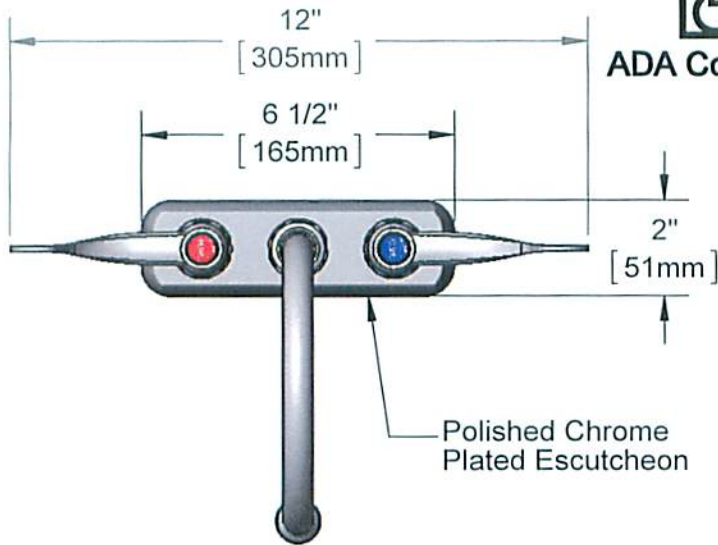
**B-1140-WH4**

Item No.

Travelers Rest, SC: 800-476-4103 • Simi Valley, CA: 800-423-0150 • Fax: 864-834-3518 • www.tsbrass.com



**ADA Compliant**



This Space for Architect/Engineer Approval

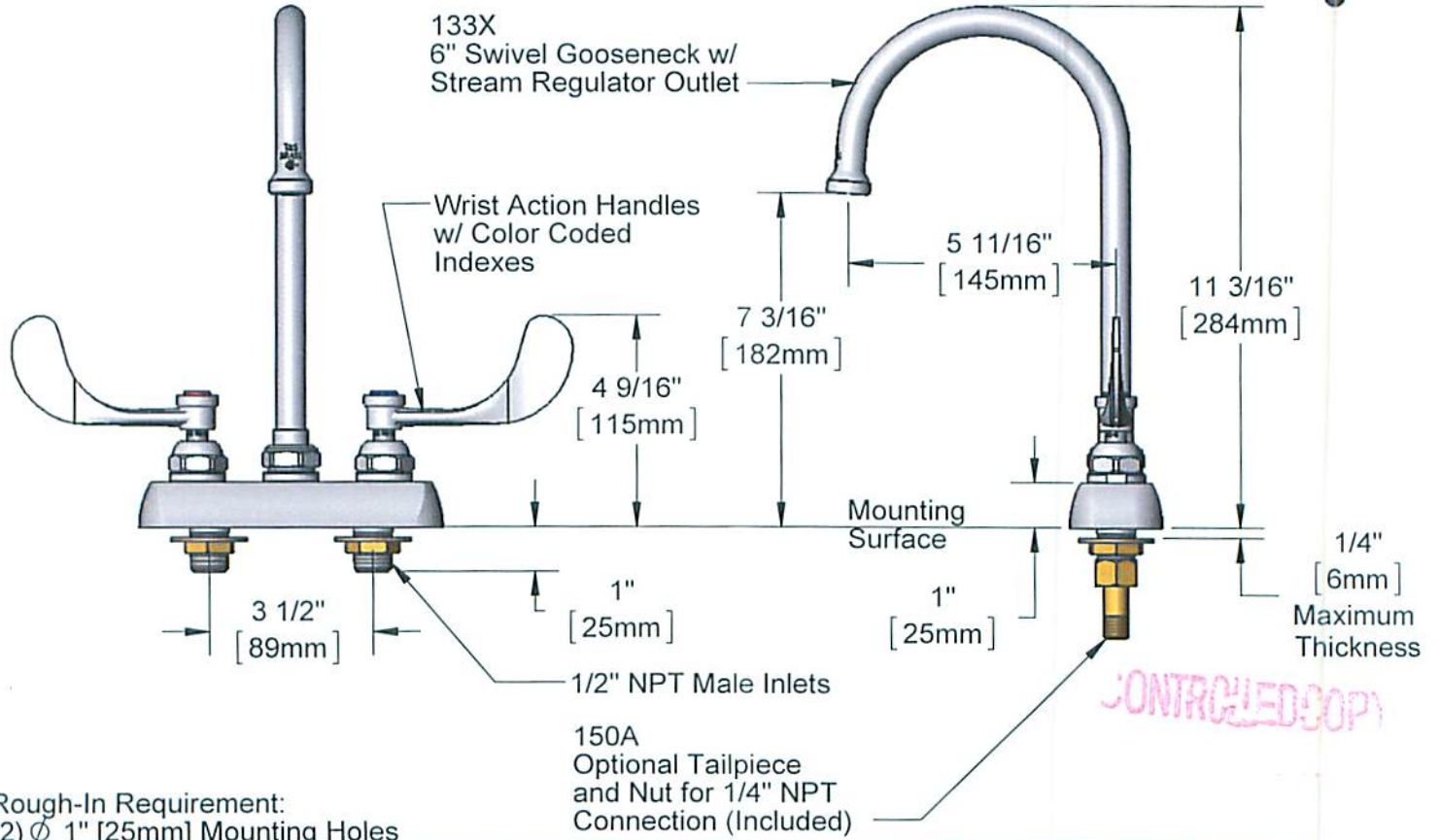
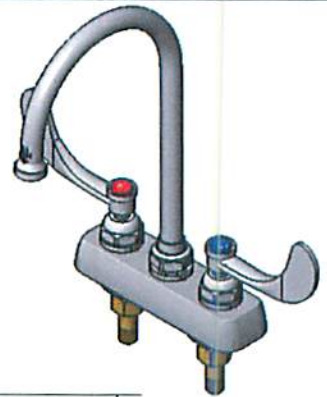
Job Name \_\_\_\_\_ Date \_\_\_\_\_

Model Specified \_\_\_\_\_ Quantity \_\_\_\_\_

Customer/Wholesaler \_\_\_\_\_

Contractor \_\_\_\_\_

Architect/Engineer \_\_\_\_\_



Rough-In Requirement:  
(2)  $\phi$  1" [25mm] Mounting Holes

Product Specifications:  
3 1/2" Deck Mount Workboard Mixing Faucet, 4" Wrist Action Handles,  
6" Swivel Gooseneck & 1/2" NPT Male Inlets

Product Compliance:  
ASME A112.18.1 / CSA B125.1  
NSF 61 - Section 9  
NSF 372 (Low Lead Content)  
ANSI A117.1 (ADA)



# T&S BRASS AND BRONZE WORKS, INC.

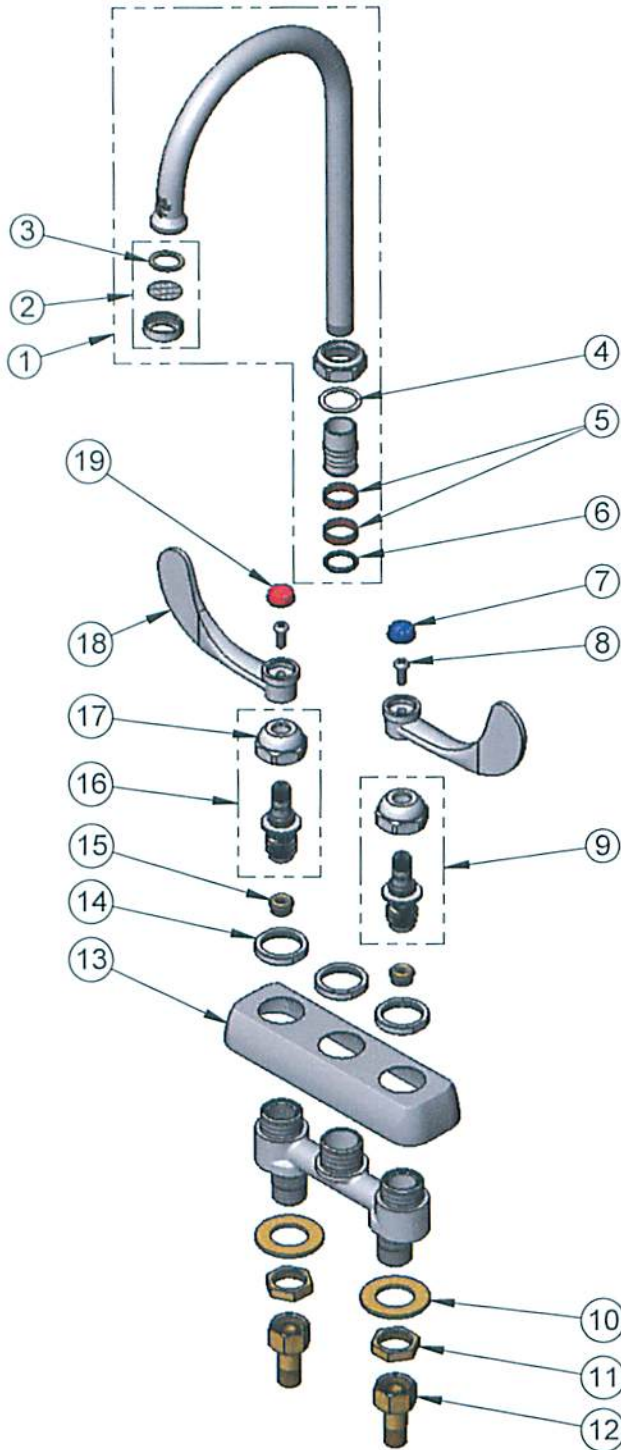
2 Saddleback Cove / P.O. Box 1088  
Travelers Rest, SC 29690

Model No.

**B-1140-WH4**

Item No.

Travelers Rest, SC: 800-476-4103 • Simi Valley, CA: 800-423-0150 • Fax: 864-834-3518 • www.tsbrass.com



ITEM NO.	SALES NO.	DESCRIPTION
1	133X	6" Swivel Gooseneck
2	B-PT	Stream Regulator Outlet
3	001048-45	Nozzle Tip Washer
4	009538-45	Swivel Washer
5	011429-45	Swivel Sleeves (2)
6	001074-45	O-Ring
7	001686-45	Blue Index - CW
8	000925-45	Lab Handle Screw
9	009424-40	B-2346 Spindle, LTC (Teflon)
10	000999-45	Brass Lock Washer
11	002954-45	Shank Lock Nut
12	150A	1/4" NPT Tailpiece & Nut
13	001258-40	Escutcheon
14	000712-25	Escutcheon Lock Nut
15	000763-20	Seat
16	009423-40	B-2346 Spindle, RTC (Teflon)
17	009749-25	Bonnet Nut
18	B-WH4	4" Wrist Action Handle
19	001194-45	Red Index - HW
37	001592-20	1/4" NPT Tailpiece

**Product Specifications:**

3 1/2" Deck Mount Workboard Mixing Faucet, 4" Wrist Action Handles, 6" Swivel Gooseneck & 1/2" NPT Male Inlets

**Product Compliance:**

ASME A112.18.1 / CSA B125.1  
NSF 61 - Section 9  
NSF 372 (Low Lead Content)  
ANSI A117.1 (ADA)