



T&S BRASS AND BRONZE WORKS, INC.

2 Saddleback Cove / P.O. Box 1088
Travelers Rest, SC 29690

Model No.

B-1130

Item No.

Travelers Rest, SC: 800-476-4103 • Simi Valley, CA: 800-423-0150 • Fax: 864-834-3518 • www.tsbrass.com

This Space for Architect/Engineer Approval

Job Name _____ Date _____

Model Specified _____ Quantity _____

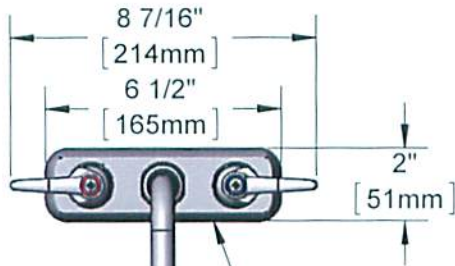
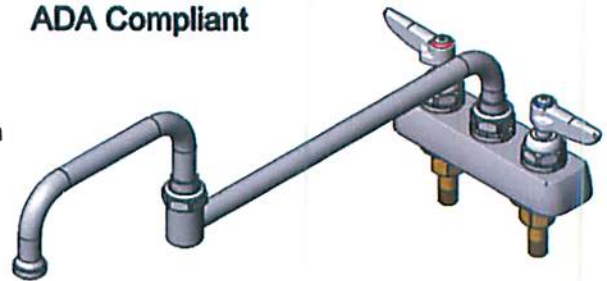
Customer/Wholesaler _____

Contractor _____

Architect/Engineer _____



ADA Compliant



Polished Chrome
Plated Escutcheon

068X
18" Double Joint Swing Nozzle
w/ Stream Regulator Outlet

Lever Handles
w/ Color Coded
Indexes

Swivel Joint

3 1/16"
[78mm]

7 15/16"
[202mm]

5 1/8"
[130mm]

3 1/4"
[83mm]

Mounting Surface

1"
[25mm]

3 1/2"
[89mm]

1"
[25mm]

1/4"
[6mm]
Maximum
Thickness

1/2" NPT
Male Inlets

(2) 150A
Optional Tailpiece & Nut For
1/4" NPT Connection (Included)

Rough-In Requirement:
(2) ϕ 1" [25mm] Mounting Holes

Product Specifications:

3 1/2" Deck Mount Workboard Mixing Faucet w/ Lever Handles, 18" Double
Joint Swing Nozzle & 1/2" NPT Male Inlets

Product Compliance:

ASME A112.18.1 / CSA B125.1
NSF 61 - Section 9
NSF 372 (Low Lead Content)
ANSI A117.1 (ADA)

CONTROLLED COPY



T&S BRASS AND BRONZE WORKS, INC.

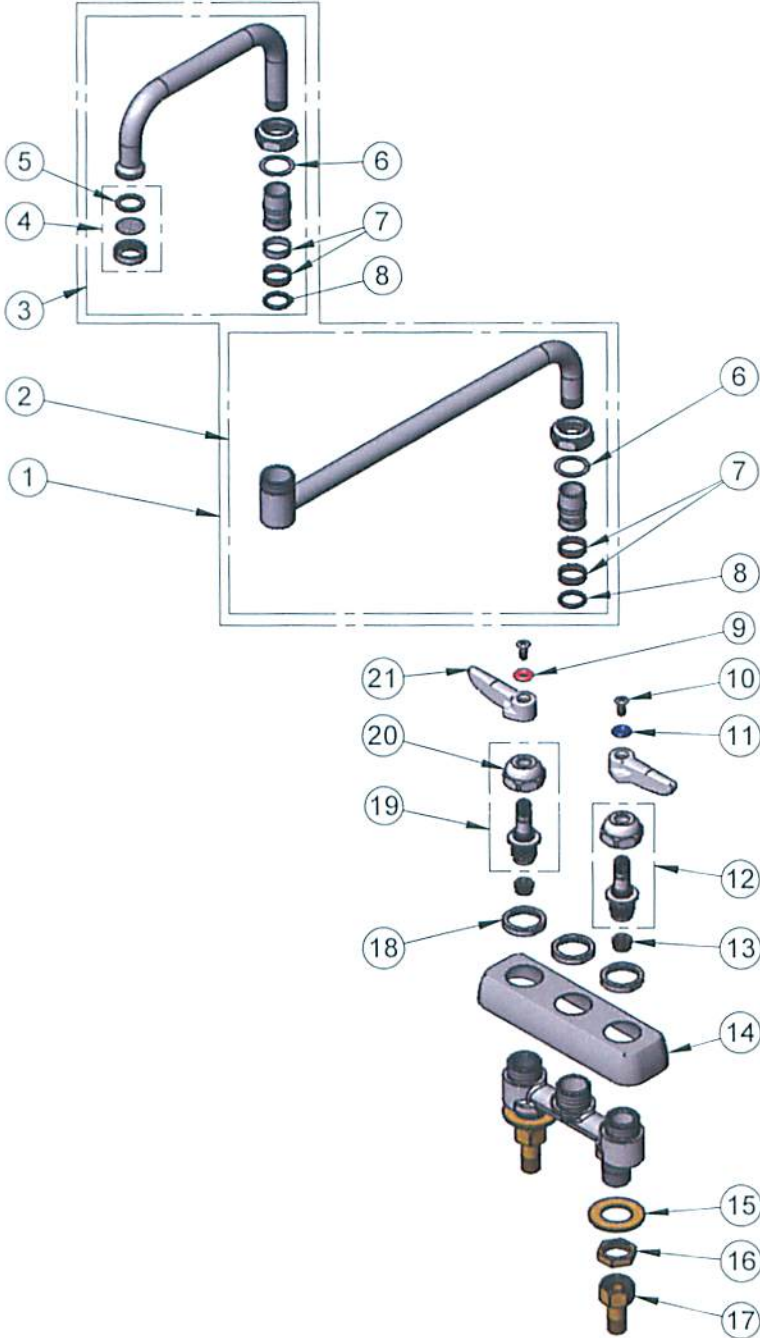
2 Saddleback Cove / P.O. Box 1088
Travelers Rest, SC 29690

Model No.

B-1130

Item No.

Travelers Rest, SC: 800-476-4103 • Simi Valley, CA: 800-423-0150 • Fax: 864-834-3518 • www.tsbrass.com



ITEM NO.	SALES NO.	DESCRIPTION
1	068X	18" Double Joint Swing Nozzle
2	002871-40	12 Back Section
3	153X	6" Front Section
4	B-PT	Stream Regulator Outlet
5	001048-45	Nozzle Tip Washer
6	009538-45	Swivel Washer
7	011429-45	Swivel Sleeves (2)
8	001074-45	O-Ring
9	001661-45	Red Index-HW
10	000922-45	Lever Handle Screw
11	001660-45	Blue Index-CW
12	009754-25	Spindle, LTC
13	000763-20	Seat
14	001259-40	Escutcheon
15	000999-45	Brass Lock Washer
16	002954-45	Shank Lock Nut
17	150A	1/4" NPT Tailpiece & Nut
18	000712-25	Escutcheon Lock Nut
19	009753-25	Spindle, RTC
20	009749-25	Bonnet Nut
21	001638-45	Lever Handle

Product Specifications:

3 1/2" Deck Mount Workboard Mixing Faucet w/ Lever Handles, 18" Double Joint Swing Nozzle & 1/2" NPT Male Inlets

CONTROLLED COPY

Product Compliance:

ASME A112.18.1 / CSA B125.1
NSF 61 - Section 9
NSF 372 (Low Lead Content)
ANSI A117.1 (ADA)