



T&S BRASS AND BRONZE WORKS, INC.

2 SADDLEBACK COVE / P.O. BOX 1088 / TRAVELERS REST, SC 29690

PHONE 800-476-4103 - FAX 864- 834-3518



REG.#A2601
ISO #9001

Model No.

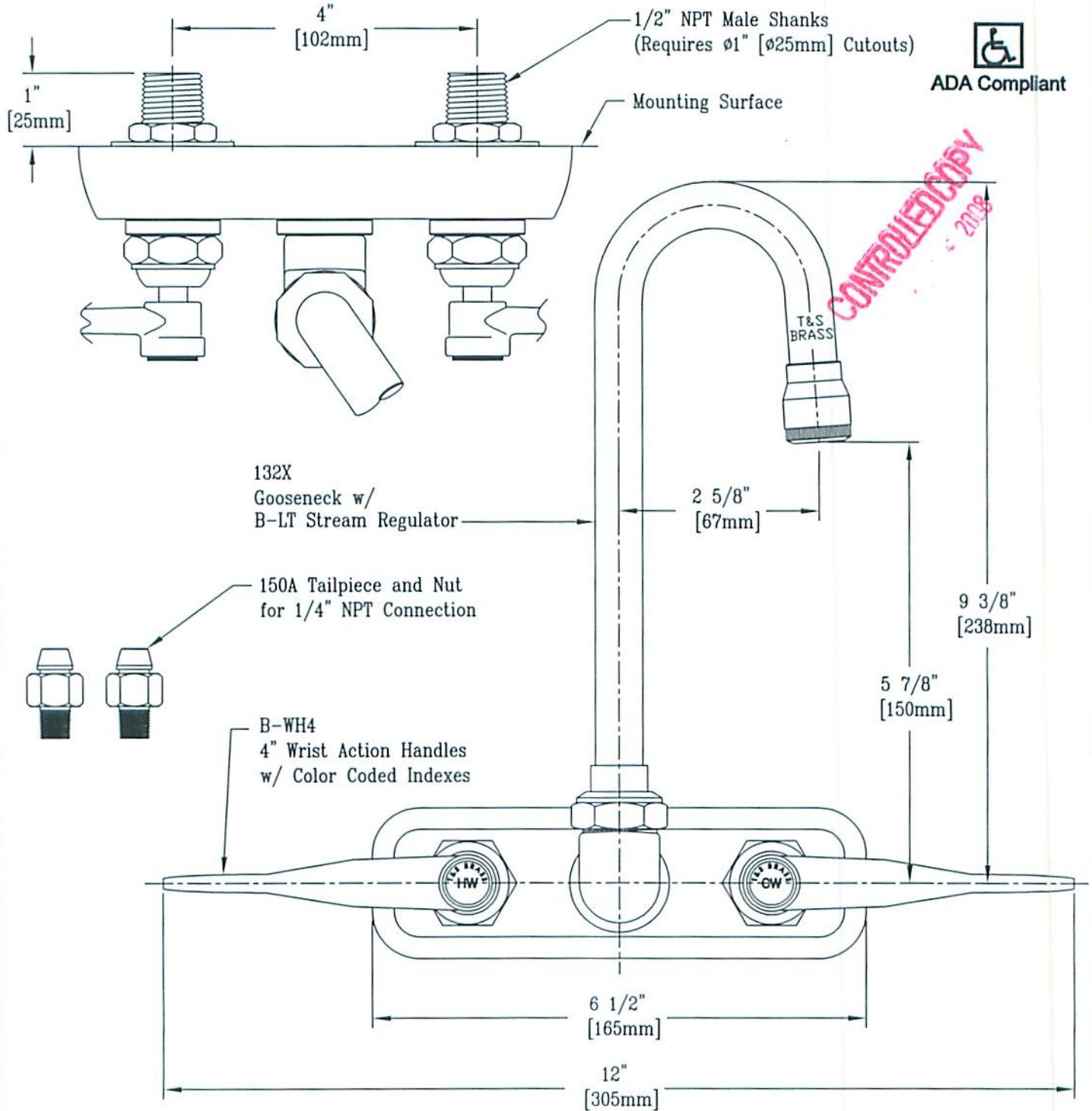
B-1115-132X-02

RELIABILITY
BUILT IN

Job Name:

Architect/Engineer Approval:

Notes:



Product Description:

4" c/c Wall Mount Workboard Faucet w/ 4" Wrist Action
Handles, 132X Gooseneck, B-LT Stream Regulator
1/2" NPT Male Shanks

Drawn:

KJG

Checked

JRM

Scale:

1:2

Approved

JHB

Date:

12/12/08