



T&S BRASS AND BRONZE WORKS, INC.

2 Saddleback Cove / P.O. Box 1088
Travelers Rest, SC 29690

Model No.

B-1110-XS-LN

Item No.

Travelers Rest, SC: 800-476-4103 • Simi Valley, CA: 800-423-0150 • Fax: 864-834-3518 • www.tsbrass.com



ADA Compliant

This Space for Architect/Engineer Approval

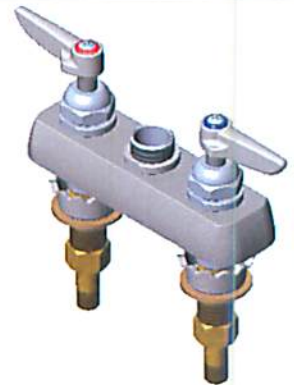
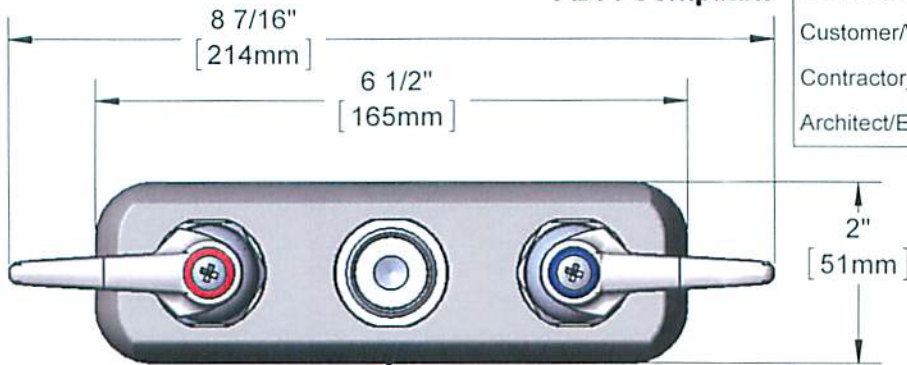
Job Name _____ Date _____

Model Specified _____ Quantity _____

Customer/Wholesaler _____

Contractor _____

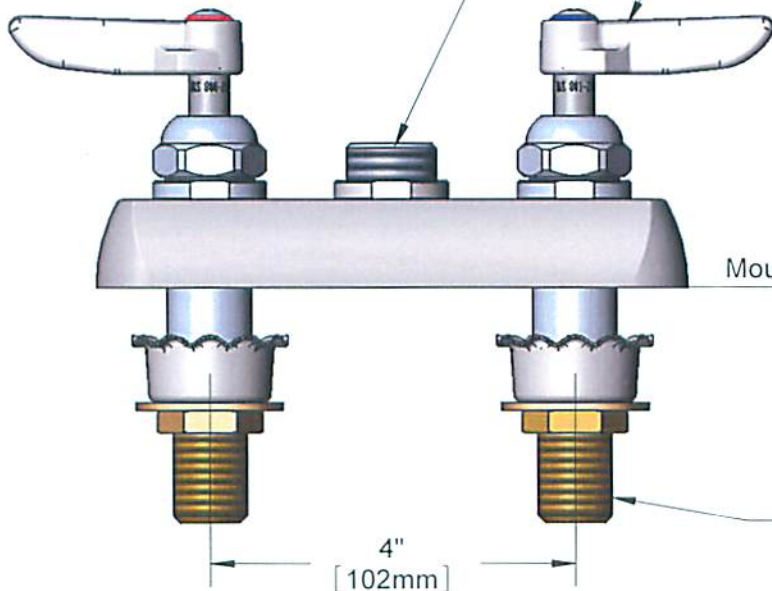
Architect/Engineer _____



Polished Chrome Plated Escutcheon

Swivel Outlet Accepts Standard T&S Swing Nozzles

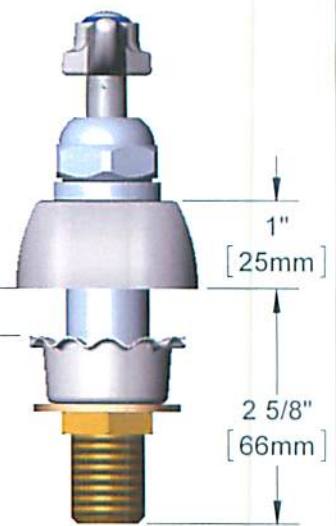
Lever Handles w/ Color Coded Indexes



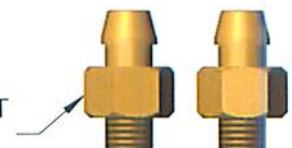
Mounting Surface

1 1/8" [29mm] Maximum Thickness

1/2" NPSM Male Inlets



150A Tailpiece and Nut Furnished for 1/4" NPT Connection



Rough-In Requirement:
(2) ϕ 1" [25mm] Mounting Holes

Product Specifications:
4" Deck Mount Workboard Faucet, Lever Handles, 1/2" NPSM Extended Male Inlets & Less Nozzle

Product Compliance:

ASME A112.18.1 / CSA B125.1
NSF 61 - Section 9
NSF 372 (Low Lead Content)
ANSI A117.1 (ADA)

CONTROLLED COPY



T&S BRASS AND BRONZE WORKS, INC.

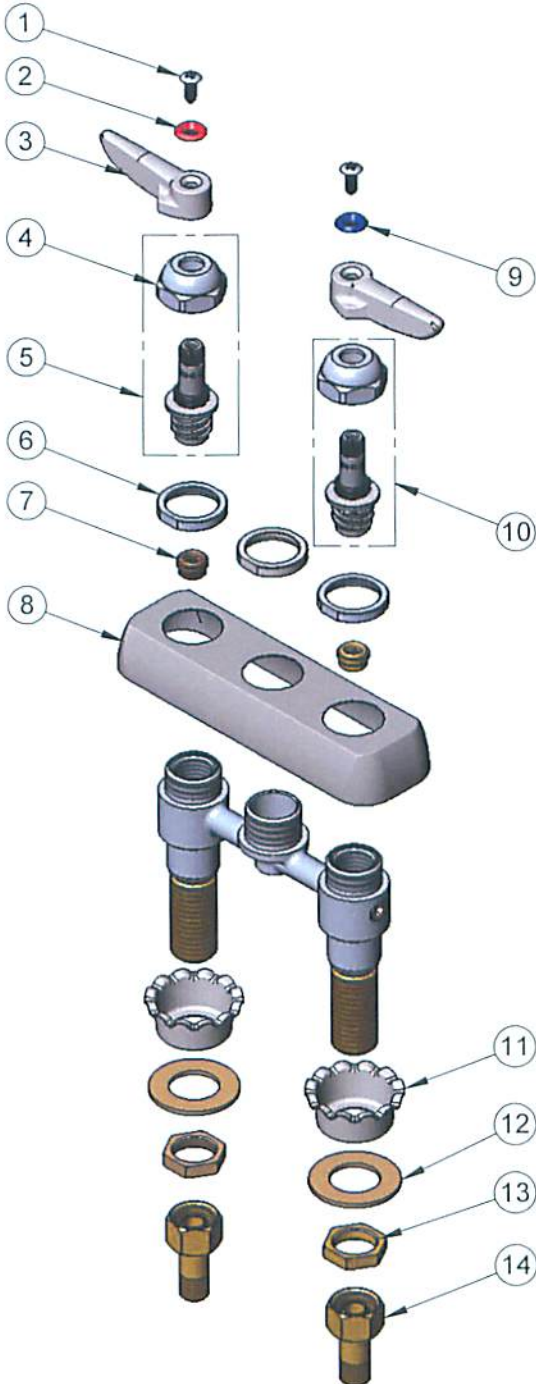
2 Saddleback Cove / P.O. Box 1088
Travelers Rest, SC 29690

Model No.

B-1110-XS-LN

Item No.

Travelers Rest, SC: 800-476-4103 • Simi Valley, CA: 800-423-0150 • Fax: 864-834-3518 • www.tsbrass.com



ITEM NO.	SALES NO.	DESCRIPTION
1	000922-45	Lever Handle Screw
2	001661-45	Red Index-HW
3	001638-45	Lever Handle
4	009749-25	Bonnet Nut
5	009753-25	B-1100 RH Spindle Assembly
6	000712-25	Escutcheon Lock Nut
7	000763-20	Seat
8	001258-40	Escutcheon
9	001660-45	Blue Index-CW
10	009754-25	B-1100 LH Spindle Assembly
11	001000-45	Rosette Washer
12	000999-45	Brass Lock Washer
13	002954-45	Shank Lock Nut
14	150A	1/4" NPT Tailpiece & Nut

Product Specifications:
4" Deck Mount Workboard Faucet, Lever Handles, 1/2" NPSM Extended Male Inlets & Less Nozzle

CONTROLLED COPY

Product Compliance:
ASME A112.18.1 / CSA B125.1
NSF 61 - Section 9
NSF 372 (Low Lead Content)
ANSI A117.1 (ADA)