



T&S BRASS AND BRONZE WORKS, INC.
 2 Saddleback Cove / P.O. Box 1088
 Travelers Rest, SC 29690

Model No.
B-1110-XS

Item No.

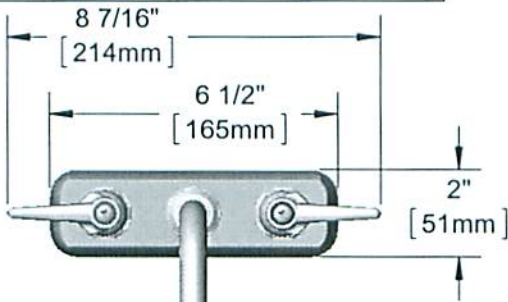
Travelers Rest, SC: 800-476-4103 • Simi Valley, CA: 800-423-0150 • Fax: 864-834-3518 • www.tsbrass.com

This Space for Architect/Engineer Approval

Job Name _____ Date _____
 Model Specified _____ Quantity _____
 Customer/Wholesaler _____
 Contractor _____
 Architect/Engineer _____



ADA Compliant



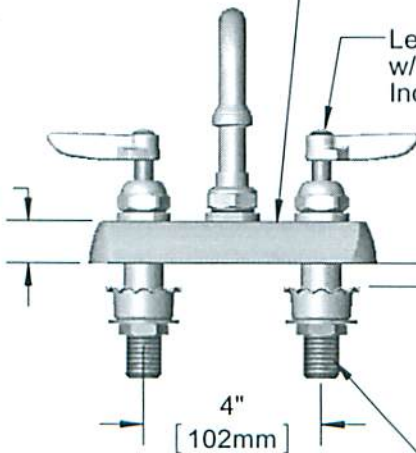
059X
 6" Swing Nozzle
 w/ Stream Regulator

CONTROLLED COPY
 JUN 2012

Polished Chrome
 Plated Escutcheon

Lever Handles
 w/ Color Coded
 Indexes

1"
 [25mm]

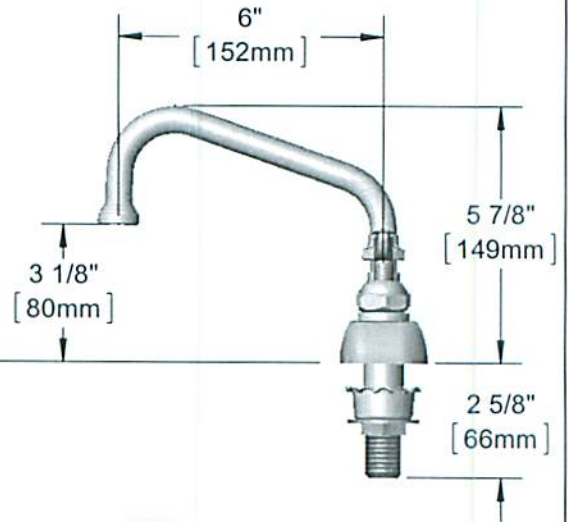


Mounting
 Surface

1 1/8"
 [29mm]
 Maximum
 Thickness

4"
 [102mm]

1/2" NPSM
 Male Inlet Shanks



150A
 Tailpiece and Nut
 Included for 1/4" NPT
 Connection



Rough-In Requirement:
 (2) ϕ 1" [25mm] Mounting Holes

Product Specifications:
 4" Deck Mount Workboard Mixing Faucet w/
 Lever Handles, 6" Swing Nozzle, Stream Regulator &
 1/2" NPSM Male Extended Shanks

Drawn KJG	Checked GEF	Approved JHB
Scale: 1:4	Date: 05/31/12	



T&S BRASS AND BRONZE WORKS, INC.

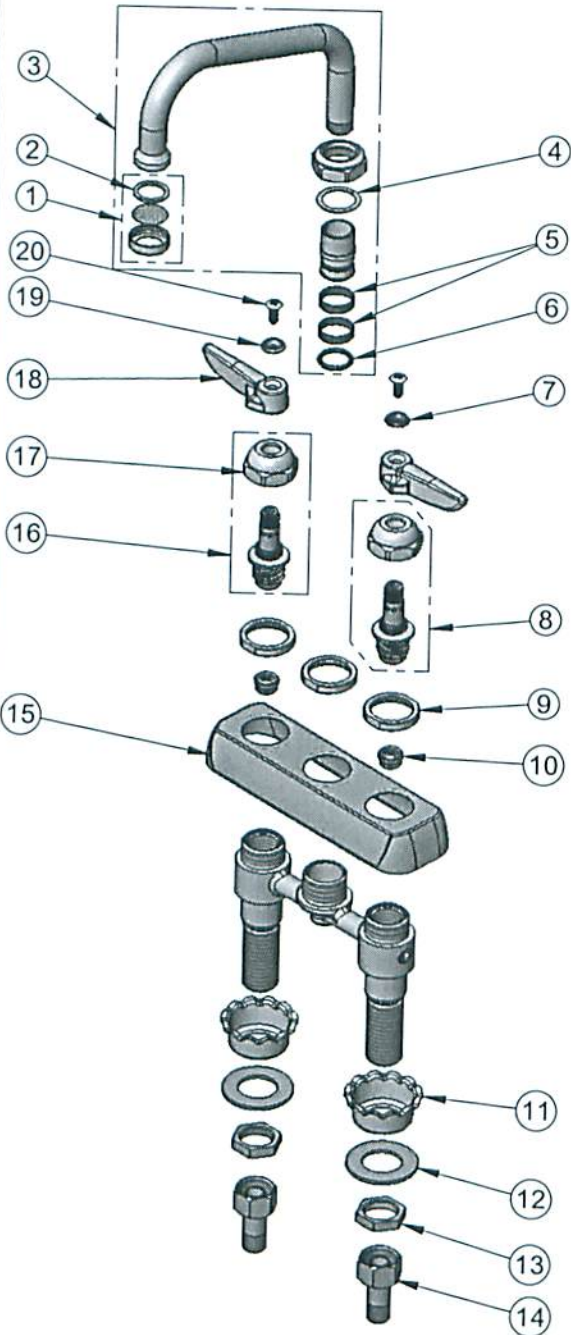
2 Saddleback Cove / P.O. Box 1088
Travelers Rest, SC 29690

Model No.

B-1110-XS

Item No.

Travelers Rest, SC: 800-476-4103 • Simi Valley, CA: 800-423-0150 • Fax: 864-834-3518 • www.tsbrass.com



ITEM NO.	SALES NO.	DESCRIPTION
1	B-PT	Stream Regulator Outlet
2	001048-45	Nozzle Tip Washer
3	059X	6" Swing Nozzle
4	009538-45	Swivel Washer
5	011429-45	Swivel Sleeves (2)
6	001074-45	O-Ring
7	001660-45	Blue Index-CW
8	009754-25	B-1100 Spindle Assembly, LTC
9	000712-25	Escutcheon Lock Nut
10	000763-20	Seat
11	001000-45	Rosette Washer
12	000999-45	Brass Lock Washer
13	002954-45	Shank Lock Nut
14	150A	Bag of (1) Nut & (1) Tailpiece
15	001258-40	Escutcheon
16	009753-25	B-1100 Spindle Assembly, RTC
17	009749-25	Bonnet Nut
18	001638-45	Lever Handle
19	001661-45	Red Index-HW
20	000922-45	Lever Handle Screw

CONTROLLED COPY
JUL 11 2012

Product Specifications:

4" Deck Mount Workboard Mixing Faucet w/
Lever Handles, 6" Swing Nozzle, Stream Regulator &
1/2" NPSM Male Extended Shanks

Drawn KJG	Checked GEF	Approved JHB
Scale: NTS		Date: 05/31/12