



T&S BRASS AND BRONZE WORKS, INC.

2 Saddleback Cove / P.O. Box 1088
Travelers Rest, SC 29690



REG. #A2601
ISO #9001

Model No.

B-1110-LN-WH4

Item No.

Travelers Rest, SC: 800-476-4103 Simi Valley, CA: 800-423-0150 Fax: 864-834-3518 www.tsbrass.com

This Space for Architect/Engineer Approval

Job Name _____ Date _____

Model Specified _____ Quantity _____

Customer/Wholesaler _____

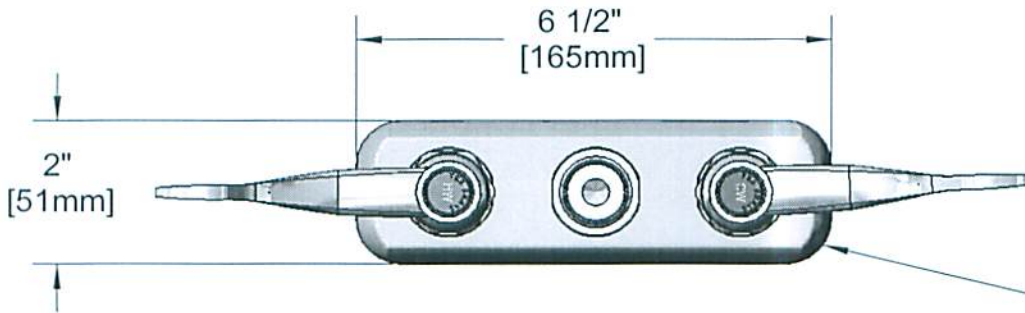
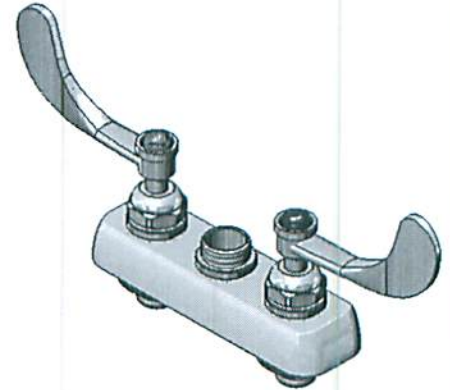
Contractor _____

Architect/Engineer _____

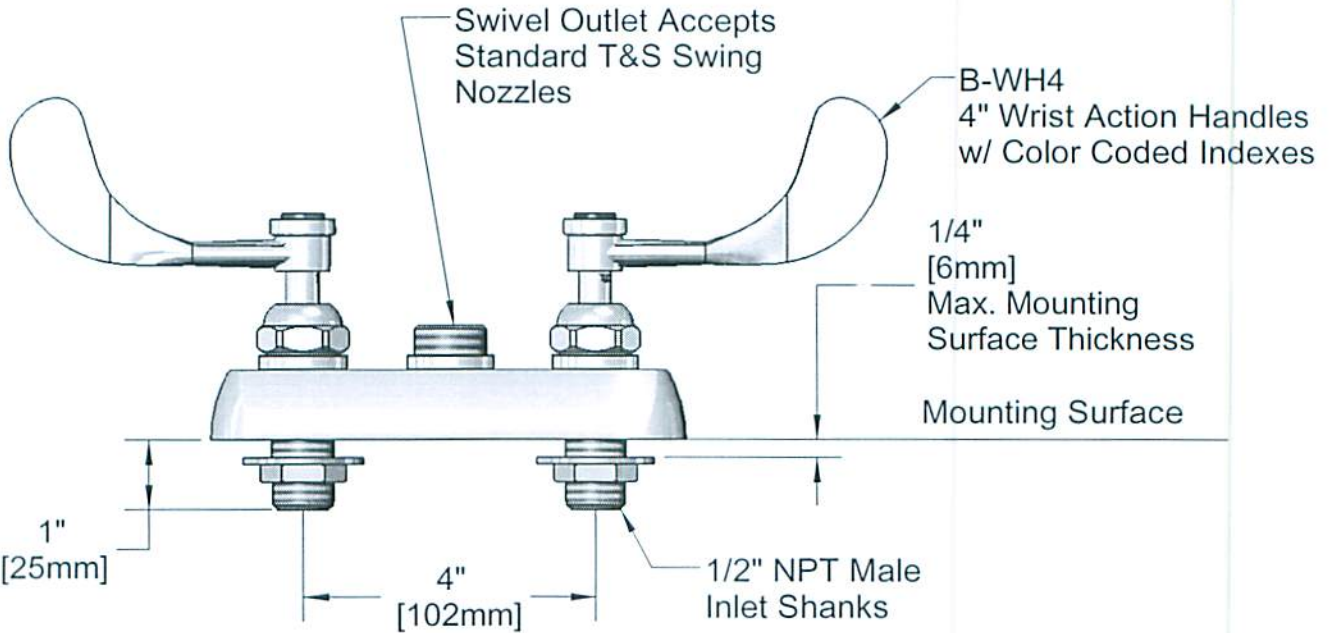


ADA Compliant

CONTROLLED COPY
REV -- 2010



Polished Chrome Plated Escutcheon



Note: Rough-In Requirements
(2) ϕ 1" [25mm] Holes

150A
Tailpiece & Nut
for 1/4" NPT
Connection
(Included)



Product Specifications:
4" c/c Deck Mount Workboard Faucet Less Nozzle
w/ 4" Wrist Action Handles & 1/2" NPT Male Shanks

Drawn KJG	Checked GEF	Approved JHB
Scale: NTS	Date: 08/18/10	



T&S BRASS AND BRONZE WORKS, INC.

2 Saddleback Cove / P.O. Box 1088
Travelers Rest, SC 29690



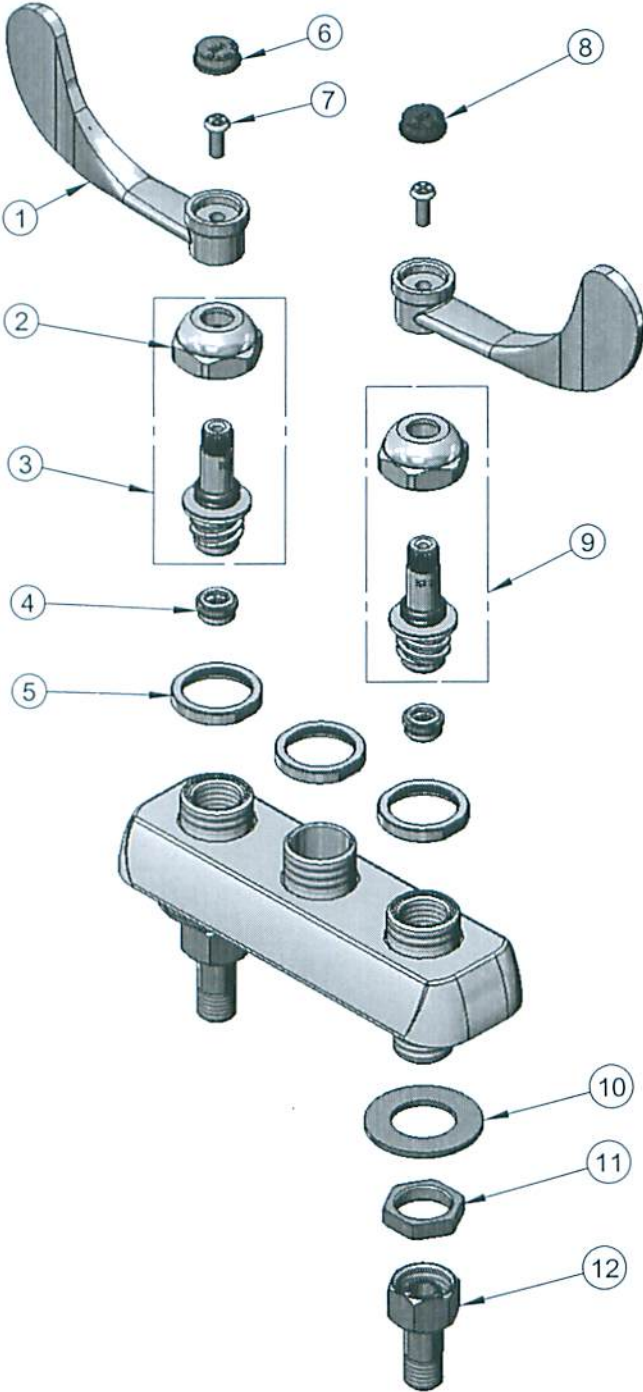
REG. #A2601
ISO #9001

Model No.

B-1110-LN-WH4

Item No.

Travelers Rest, SC: 800-476-4103 Simi Valley, CA: 800-423-0150 Fax: 864-834-3518 www.tsbrass.com



ITEM NO.	SALES NO.	DESCRIPTION
1	B-WH4	4" Wrist Action Handle
2	009749-25	Bonnet Nut
3	009423-40	B-2346 RH Spindle Assembly
4	000763-20	Seat
5	000712-25	Escutcheon Lock Nut
6	001194-45	Red HW Index
7	000925-45	Lab Handle Screw
8	001686-45	Blue CW Index
9	009424-40	B-2346 LH Spindle Assembly
10	000999-45	Brass Lock Washer
11	002954-45	Shank Lock Nut
12	000958-20	Coupling Nut

CONTROLLED COPY
REV. -- 2010

Product Specifications:

4" c/c Deck Mount Workboard Faucet Less Nozzle
w/ 4" Wrist Action Handles & 1/2" NPT Male Shanks

Drawn KJG	Checked GEF	Approved JHB
Scale: NTS	Date: 08/18/10	