



# T&S BRASS AND BRONZE WORKS, INC.

2 Saddleback Cove / P.O. Box 1088  
Travelers Rest, SC 29690

Model No.

**B-1106**

Item No.

Travelers Rest, SC: 800-476-4103 • Simi Valley, CA: 800-423-0150 • Fax: 864-834-3518 • www.tsbrass.com



**ADA Compliant**

This Space for Architect/Engineer Approval

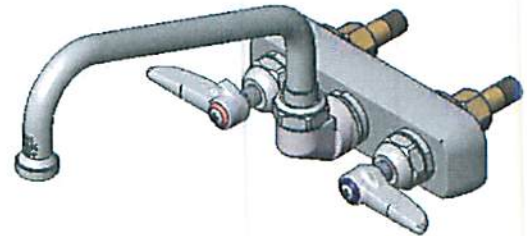
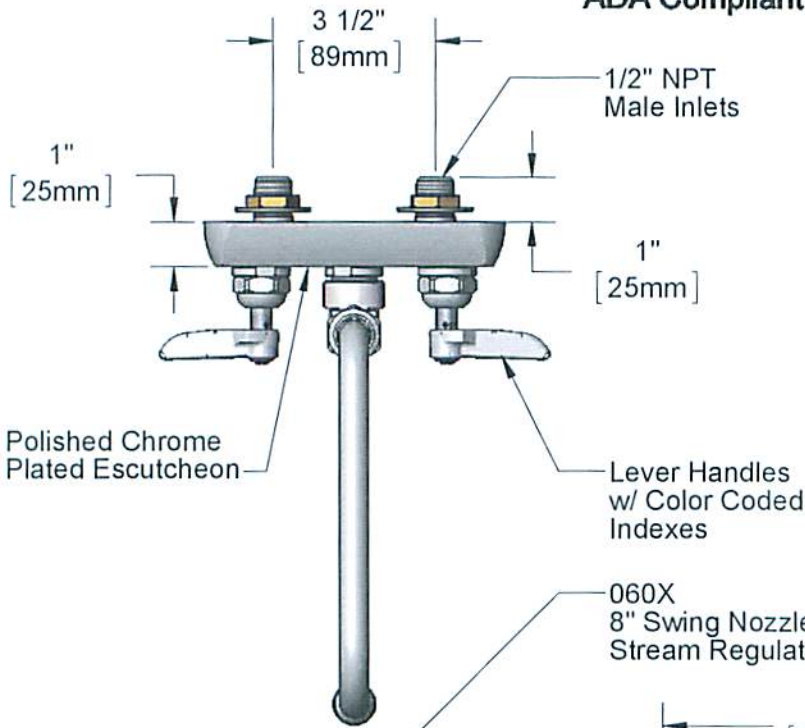
Job Name \_\_\_\_\_ Date \_\_\_\_\_

Model Specified \_\_\_\_\_ Quantity \_\_\_\_\_

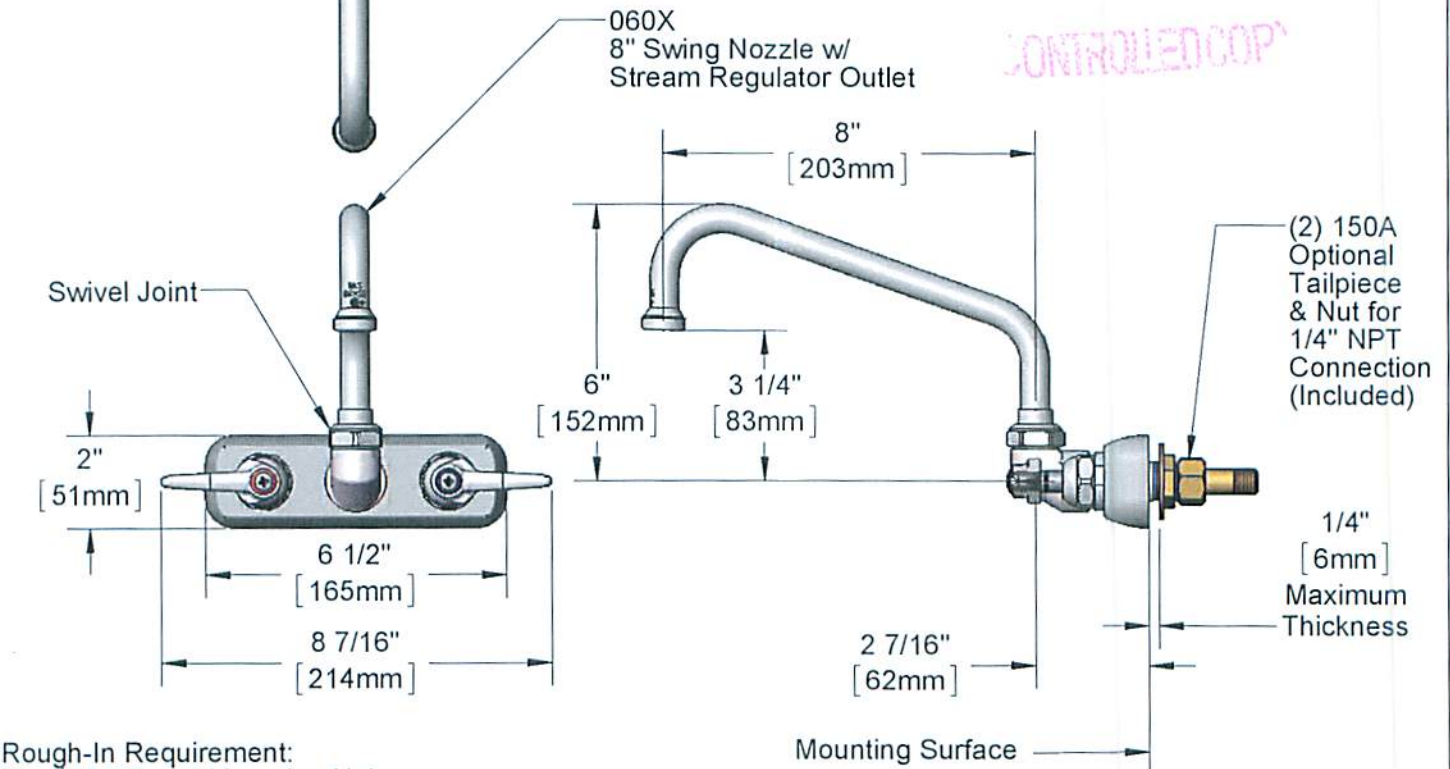
Customer/Wholesaler \_\_\_\_\_

Contractor \_\_\_\_\_

Architect/Engineer \_\_\_\_\_



CONTROLLED COPY



Rough-In Requirement:  
(2)  $\phi$  1" [25mm] Mounting Holes

Product Specifications:  
3 1/2" Wall Mount Workboard Mixing Faucet, Lever Handles,  
8" Swing Nozzle & 1/2" NPT Male Inlets

Drawn <b>DHL</b>	Checked <b>DMH</b>	Approved <b>JHB</b>
Scale: <b>1:4</b>		Date: <b>02/21/14</b>



**T&S BRASS AND BRONZE WORKS, INC.**

2 Saddleback Cove / P.O. Box 1088  
Travelers Rest, SC 29690

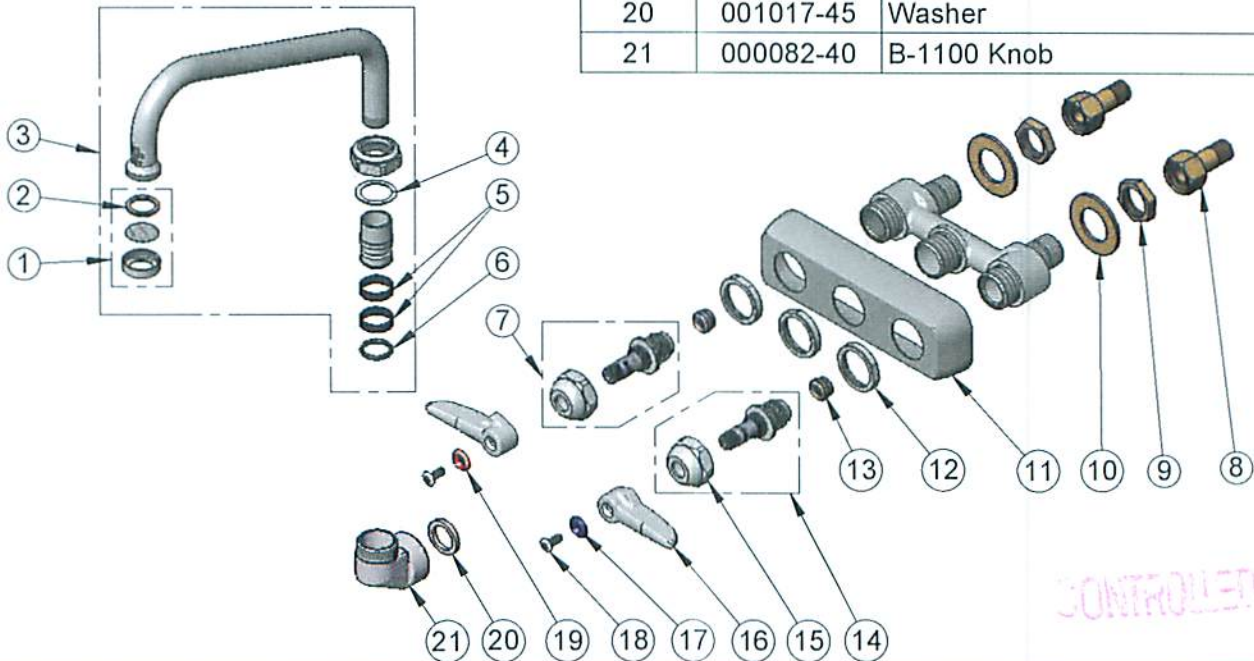
Model No.

**B-1106**

Item No.

Travelers Rest, SC: 800-476-4103 • Simi Valley, CA: 800-423-0150 • Fax: 864-834-3518 • www.tsbrass.com

ITEM NO.	SALES NO.	DESCRIPTION
1	B-PT	Stream Regulator Outlet
2	001048-45	Nozzle Tip Washer
3	060X	8" Swing Nozzle
4	009538-45	Swivel Washer
5	011429-45	Swivel Sleeves (2)
6	001074-45	O-Ring
7	009754-25	B-1100 Spindle Assembly, LTC
8	150A	1/4" NPT Tailpiece & Nut
9	002954-45	Shank Lock Nut
10	000999-45	Brass Lock Washer
11	001258-40	Escutcheon
12	000712-25	Escutcheon Lock Nut
13	000763-20	Seat
14	009753-25	B-1100 Spindle Assembly, RTC
15	009749-25	Bonnet Nut
16	001638-45	Lever Handle
17	001660-45	Blue Index-CW
18	000922-45	Lever Handle Screw
19	001661-45	Red Index-HW
20	001017-45	Washer
21	000082-40	B-1100 Knob



CONTROLLED COPY

Product Specifications:

3 1/2" Wall Mount Workboard Mixing Faucet, Lever Handles,  
8" Swing Nozzle & 1/2" NPT Male Inlets

Drawn <b>DHL</b>	Checked <b>DMH</b>	Approved <b>JHB</b>
Scale: <b>NTS</b>		Date: <b>02/21/14</b>